



Fig.1 Power Dissipation

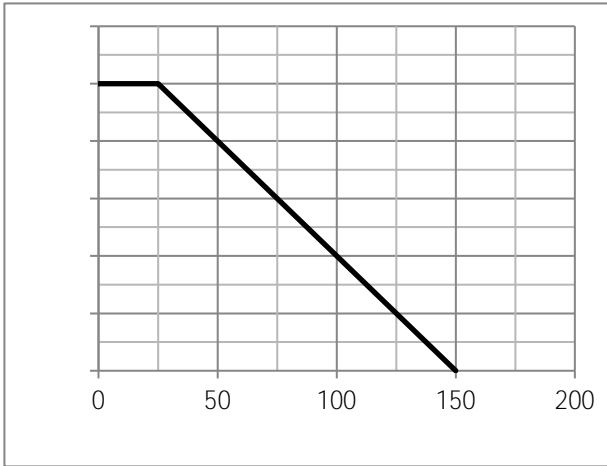


Fig.2 Typical output Characteristics

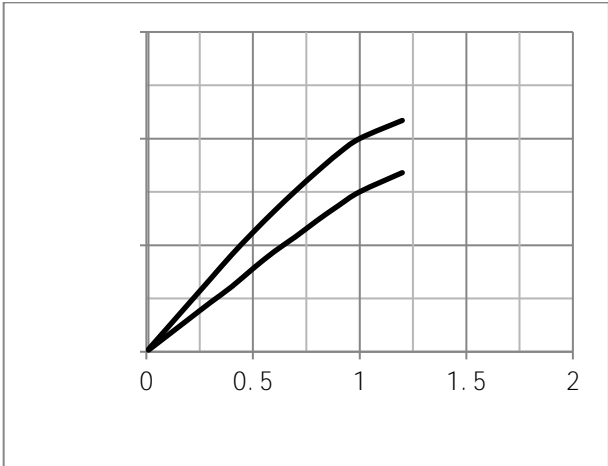


Fig.3 Threshold Voltage V.S Junction Temperature

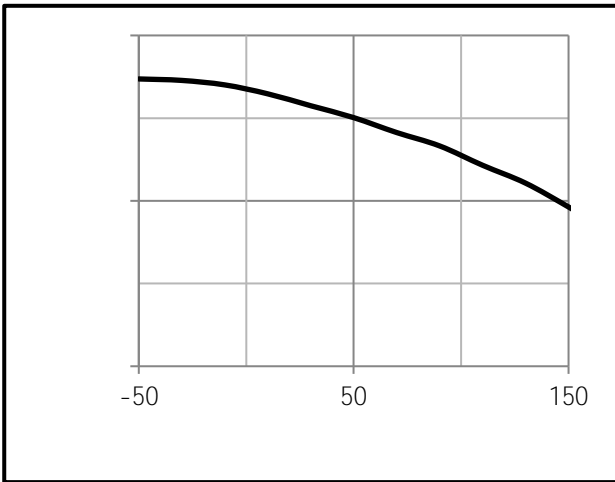


Fig.4 Resistance V.S Drain Current

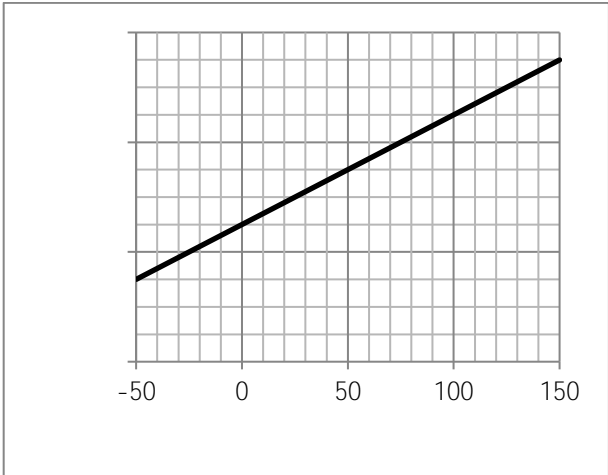
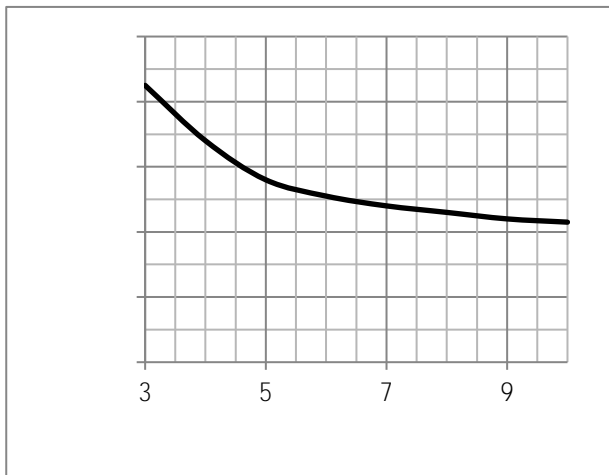
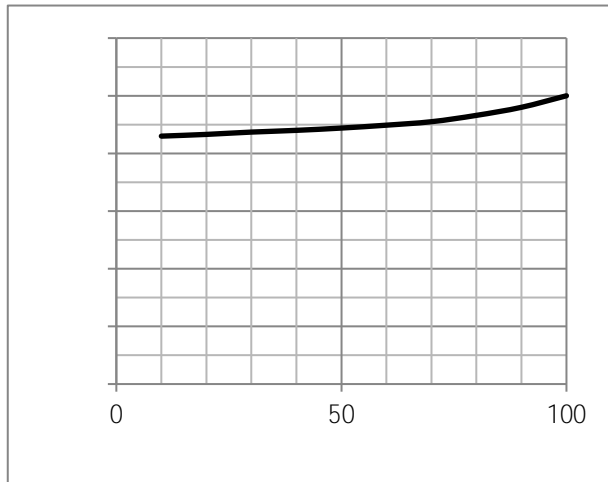




Fig.7 Switching Time Measurement Circuit

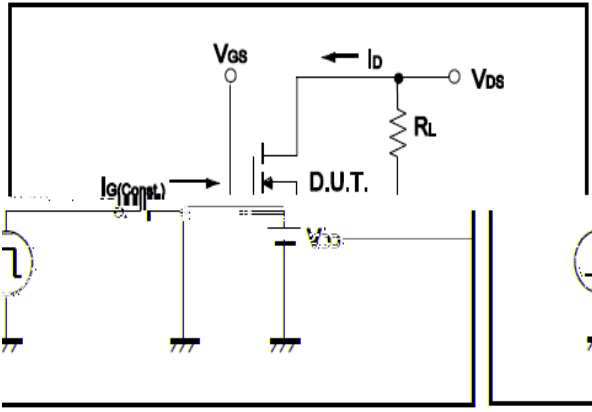


Fig.8 Gate Charge Waveform

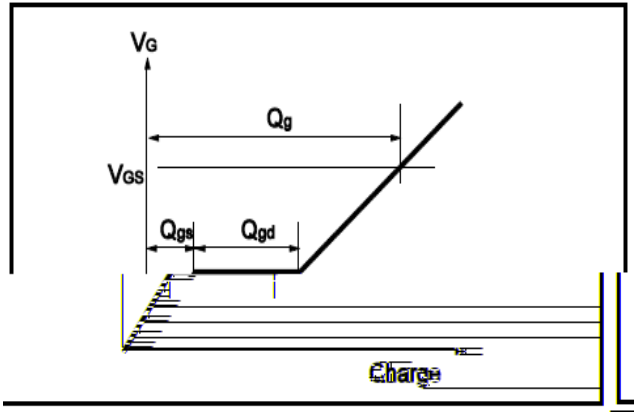


Fig.9 Switching Time Measurement Circuit

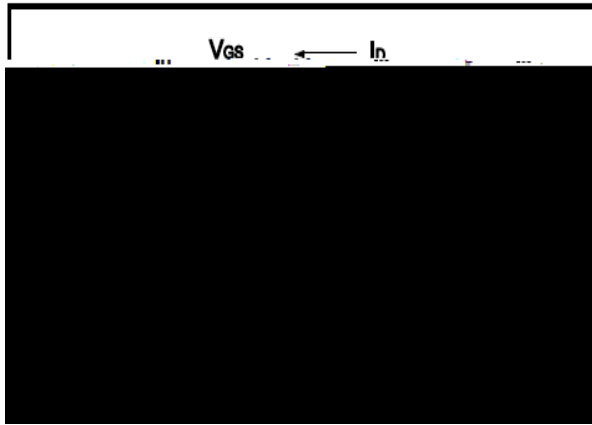


Fig.10 Gate Charge Waveform

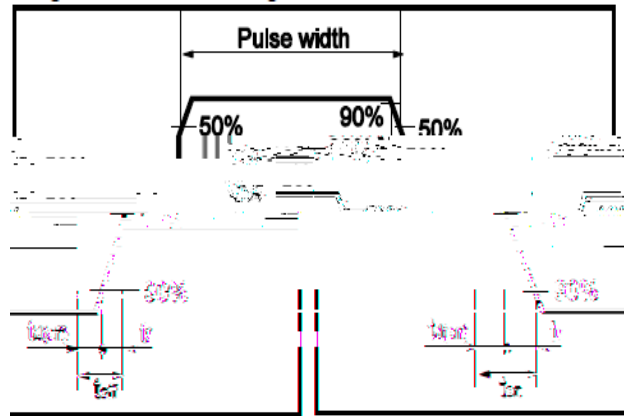


Fig.11 Avalanche Measurement Circuit

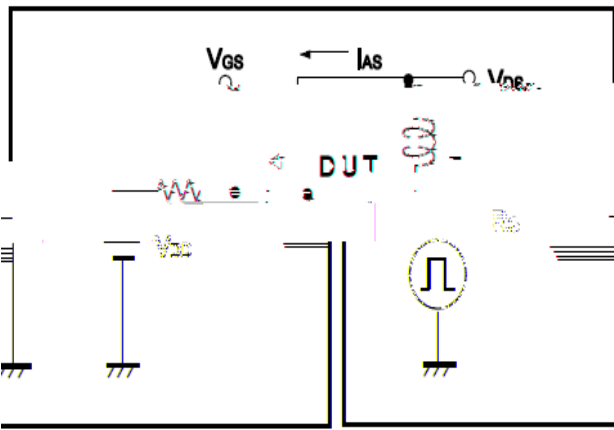
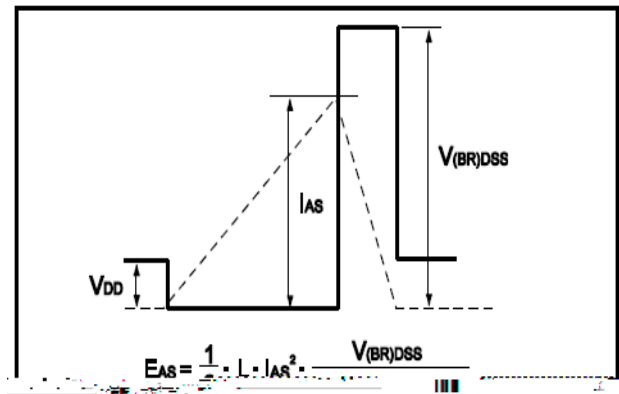


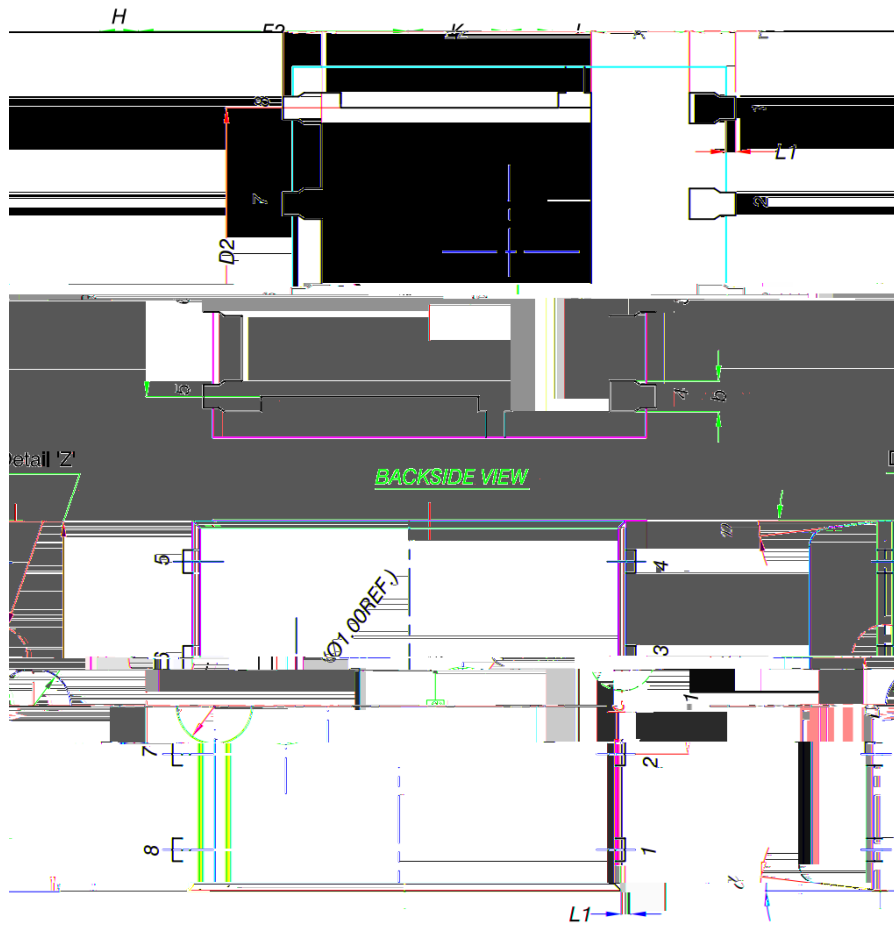
Fig.12 Avalanche Waveform





Dimensions DFN5x6

Unit mm



| DIM | MILLIMETERS | | |
|--------|-------------|------|------|
| | MIN | TYP | MAX |
| A1 | 0.95 | 1.00 | 1.10 |
| A2 | 0 | | 0.95 |
| B1 | 0.28 | 0.47 | 0.51 |
| C1 | 0.09 | 0.25 | 0.25 |
| D1 | | 4.80 | 4.90 |
| D2 | | 3.61 | 3.81 |
| E | | 5.90 | 6.00 |
| E1 | | 5.70 | 5.75 |
| E2 | | 3.25 | |
| E2-BSC | | | |
| e | | 0.65 | |
| H | | 0.25 | |
| K | | 0.75 | |
| L | | 0.20 | |
| L1 | | 0.20 | |
| L2 | | 1.2 | |