









S S

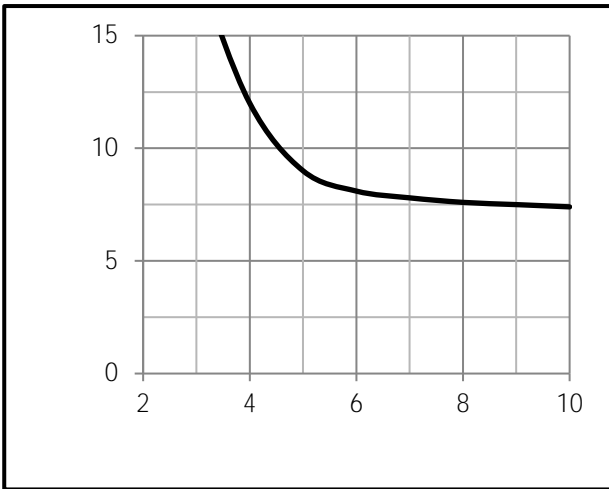


Fig.9 Switching Time Measurement Circuit

S G

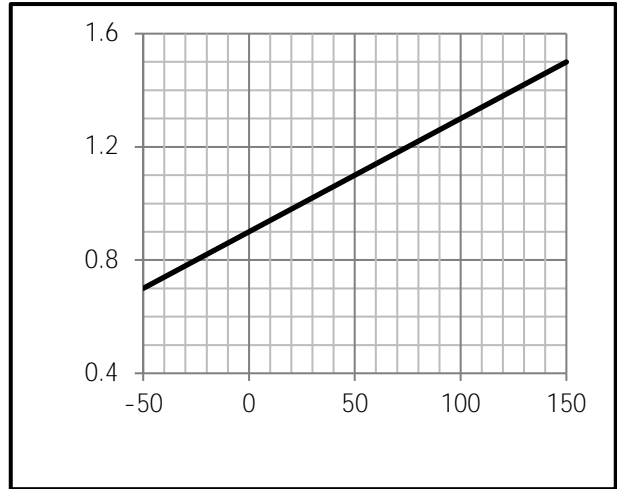


Fig.10 Gate Charge Waveform

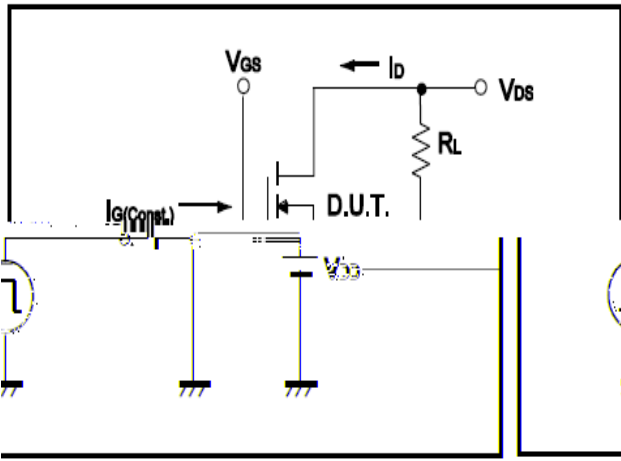


Fig.11 Switching Time Measurement Circuit

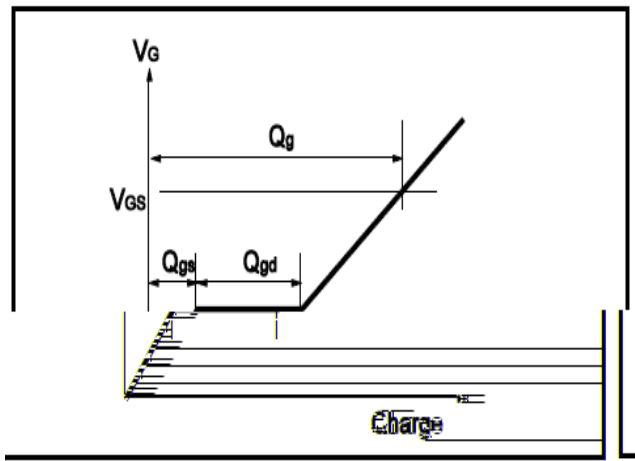
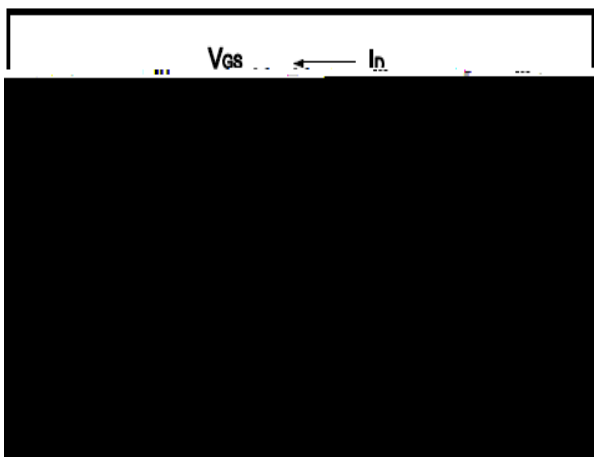


Fig.12 Gate Charge Waveform





Dimensions (TO-263)

Unit mm

SYMBOL	MIN	TYP	MAX	SYMBOL	MIN	TYP	MAX
A	4.42		4.72	E	8.99		9.29
B	1.22		1.32	e1	2.44		2.64
b	0.76		0.86	e2	4.98		5.18
b1	1.22		1.32	L1	15.19		15.79
b2	0.33		0.43	L2	2.29		2.79
C	1.22		1.32	L3	1.3		1.75
D	9.95		10.25				

