



General Description

The ZM110P06D combines advanced trench MOSFET technology with a low resistance package to provide extremely low $R_{DS(ON)}$.

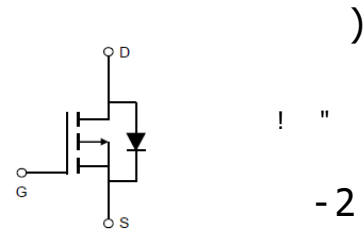
Features

- Trench technology
- $R_{DS(ON)}$ to minimize conductive loss

Application

nd Synchronous Rectifier

Product Summary



Ordering Information:

))
))
	REEL TAPE
! "	2500

Absolute Maximum Ratings $T_c = 25$

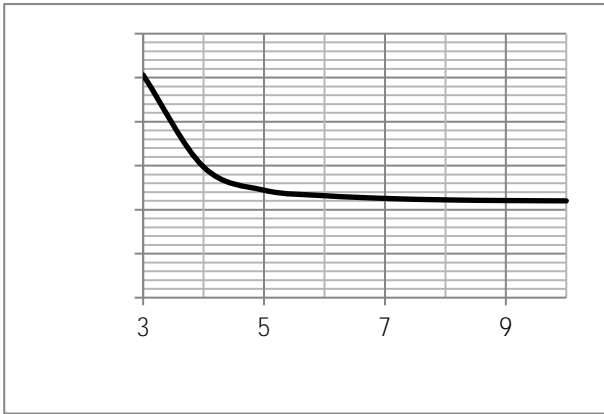
Parameter	Symbol	Rating	Unit
Drain-Source Voltage	V_{DS}	-60	V
Gate-Source Voltage	V_{GS}	± 20	V
Continuous Drain Current	$I_D @ TC=25$	-49	A
	$I_D @ TC=75$	-37	A
	$I_D @ TC=100$	-31	A
Pulsed Drain Current	I_{DM}	-147	A
Total Power Dissipation	$P_D @ TC=25$	55	W
Total Power Dissipation	$P_D @ TA=25$	3.5	W
Operating Junction Temperature	T_J	-55 to 150	
Storage Temperature	T_{STG}	-55 to 150	
Single Pulse Avalanche Energy @ $L=0.1mH$	E_{AS}	820	mJ







0



1

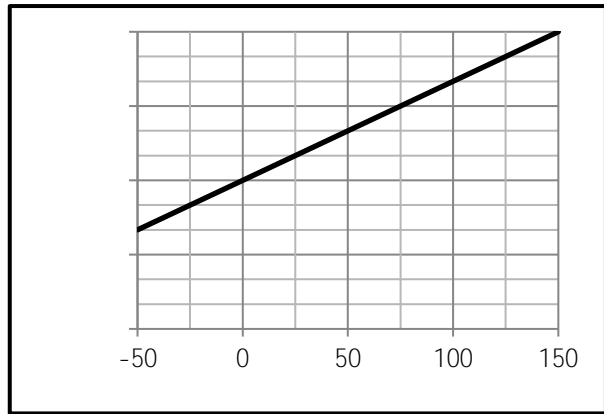


Fig.9 Switching Time Measurement Circuit

Fig.10 Gate Charge Waveform

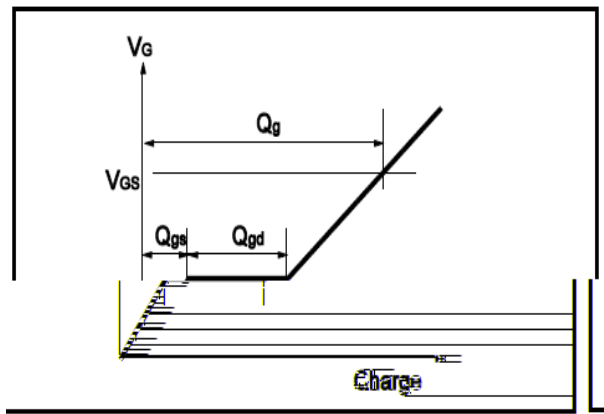
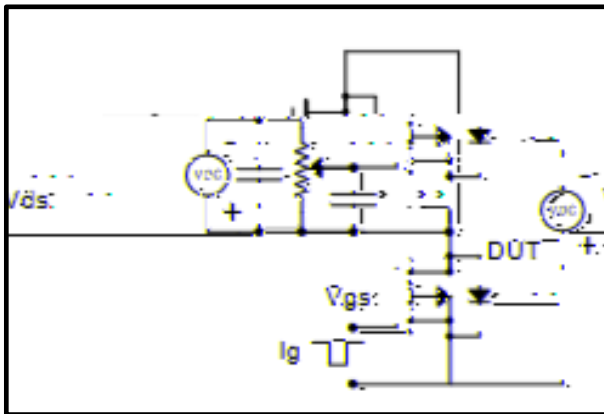
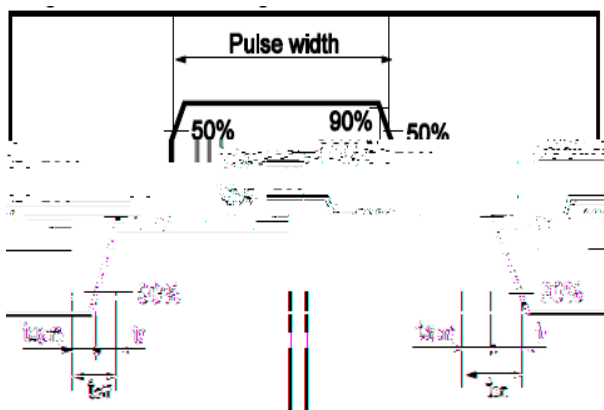
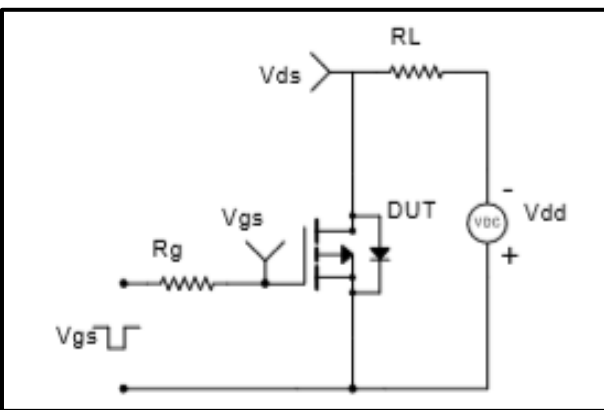


Fig.11 Switching Time Measurement Circuit

Fig.12 Gate Charge Waveform





Dimensions (TO-252)

Unit mm

SYMBOL	mi n	max	SYMBOL	mi n	max
A	2.10	2.50	B	0.85	1.25
b	0.50	0.80	b1	0.50	0.90
b2	0.45	0.70	C	0.45	0.70
D	6.30	6.75	D1	5.10	5.50
E	5.30	6.30	e1	2.25	2.35
L1	9.20	10.60	e2	4.45	4.75
L2	0.90	1.75	L3	0.60	1.10
K	0.00	0.23			

