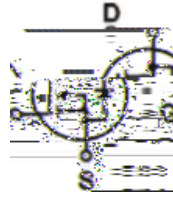




**Product Summary**

The ZM130N03L combines advanced trench MOSFET technology with a low resistance package to provide extremely low  $R_{DS(ON)}$ .



Trench technology

$R_{DS(ON)}$  to minimize conductive loss

DC/DC Converters in Computing, Servers  
Isolated DC/DC Converters in Telecom and Industrial



	REEL TAPE
	3000

$T_C = 25$

Parameter	Symbol	Rating	Unit
Drain-Source Voltage	$V_{DS}$	30	V
Gate-Source Voltage	$V_{GS}$	20	V
Continuous Drain Current	$I_{D@TC=25}$	8	A
	$I_{D@TC=75}$	6	A
	$I_{D@TC=100}$	5	A
Pulsed Drain Current	$I_{DM}$	20	A
Total Power Dissipation	$P_D@TC=25$	18	W
Total Power Dissipation	$P_D@TA=25$	0.9	W
Operating Junction Temperature	$T_J$	-55 to 150	
Storage Temperature	$T_{STG}$	-55 to 150	
Single Pulse Avalanche Energy@L=0.1mH	$E_{AS}$	20	mJ





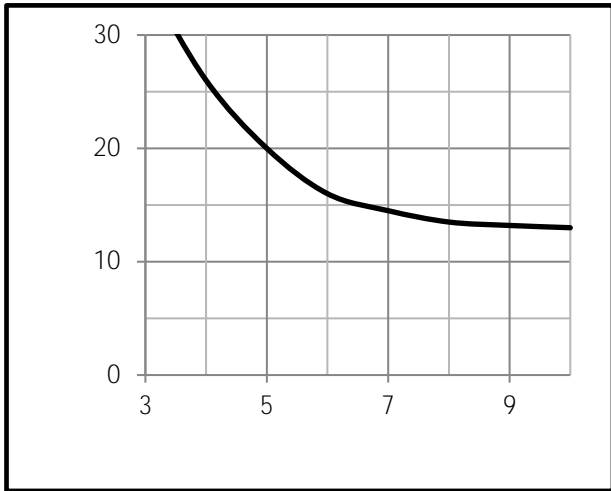


Fig.9 Switching Time Measurement Circuit

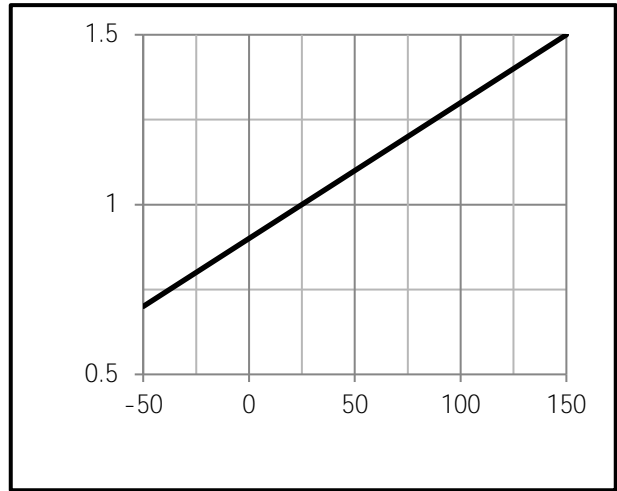


Fig.10 Gate Charge Waveform

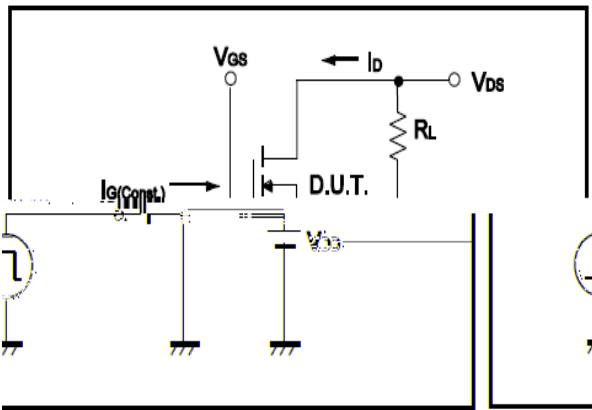


Fig.11 Switching Time Measurement Circuit

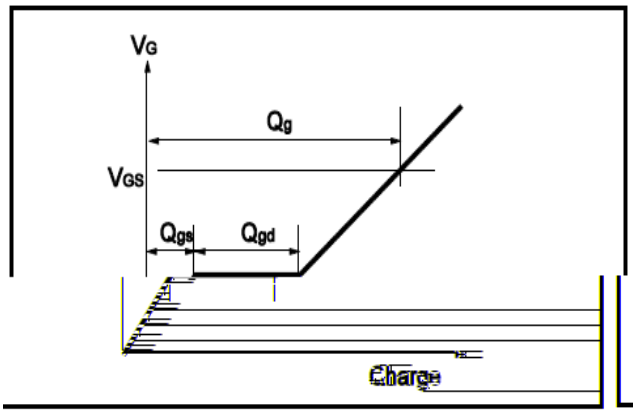


Fig.12 Gate Charge Waveform

