

**Ordering Information:****Absolute Maximum Ratings ($T_c = 25^\circ\text{C}$)**

Parameter	Symbol	Rating	Unit
Drain-Source Voltage	V_{DS}	-20	V
Gate-Source Voltage	V_{GS}	± 8	V
Continuous Drain Current	$I_{D@TC=25}$	-20	A
	$I_{D@TC=75}$	-15.2	A
	$I_{D@TC=100}$	-12.6	A
Pulsed Drain Current	I_{DM}	-55	A
Total Power Dissipation	$P_D@TC=25$	17	W
Total Power Dissipation	$P_D@TA=25$	0.9	W
Operating Junction Temperature	T_J	-55 to 150	
Storage Temperature	T_{STG}	-55 to 150	





Fig.7 Switching Time Measurement Circuit

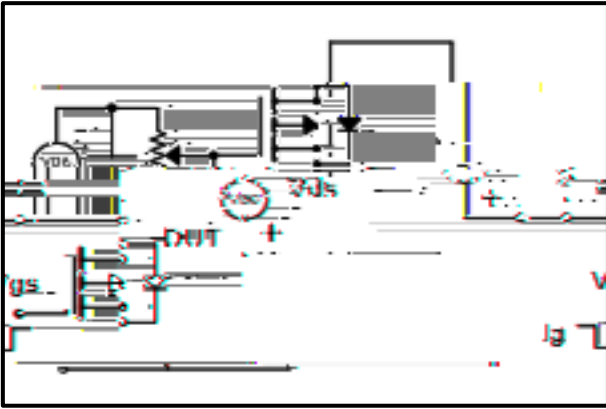


Fig.8 Gate Charge Waveform

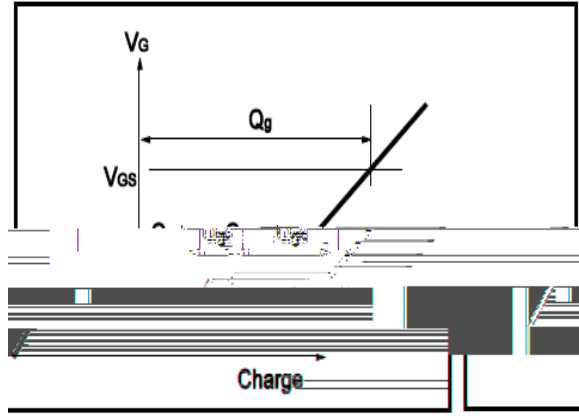


Fig.9 Switching Time Measurement Circuit

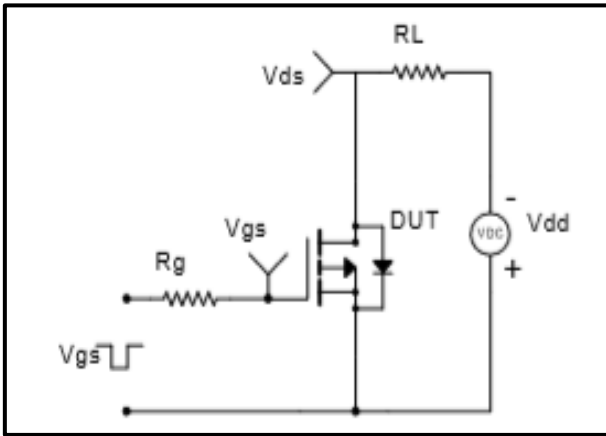


Fig.10 Gate Charge Waveform

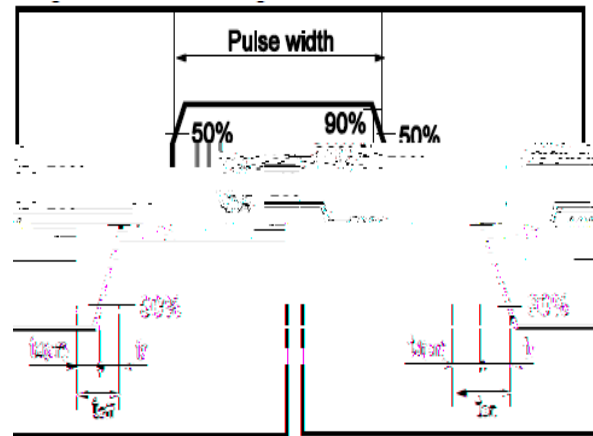


Fig.11 Avalanche Measurement Circuit

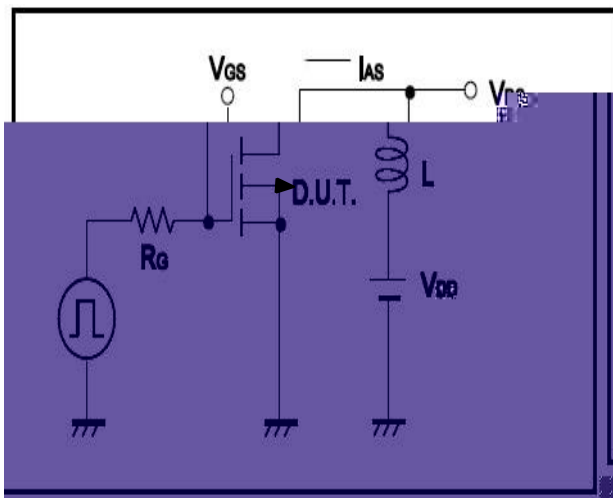


Fig.12 Avalanche Waveform

