



Ordering Information:

Absolute Maximum Ratings $T_C = 25$

Parameter	Symbol	Rating	Unit
Drain-Source Voltage	V_{DS}	60	V
Gate-Source Voltage	V_{GS}	± 20	V
Continuous Drain Current	$I_{D@TC=25^{\circ}C}$	16	A
	$I_{D@TC=75^{\circ}C}$	12	A
	$I_{D@TC=100^{\circ}C}$	10	A
Pulsed Drain Current ^①	I_{DM}	35	A

Total Power Dissip 6.96 TtnBT/F2 10.56



Fig.1



Fig.7 Switching Time Measurement Circuit

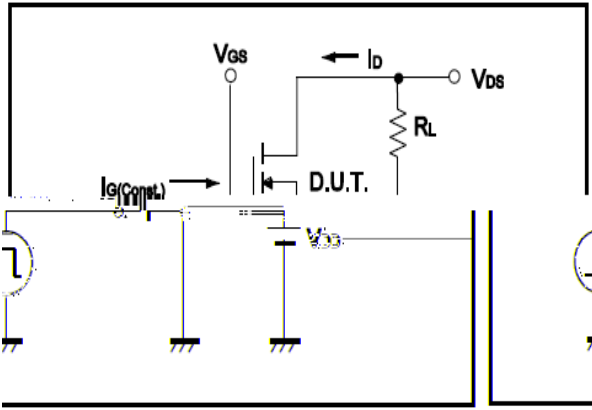


Fig.8 Gate Charge Waveform

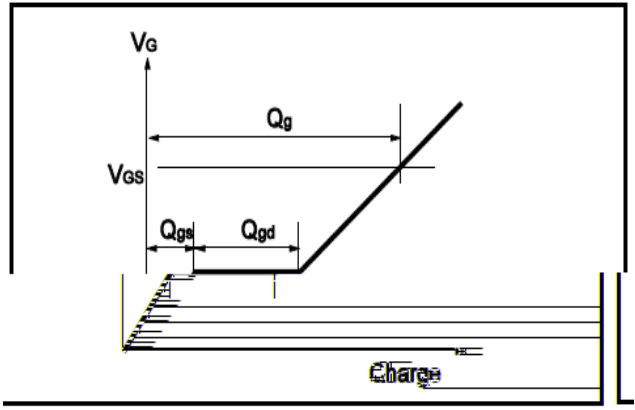


Fig.9 Switching Time Measurement Circuit

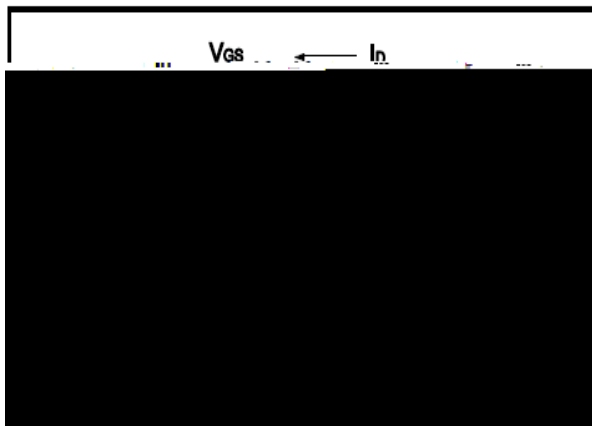


Fig.10 Gate Charge Waveform

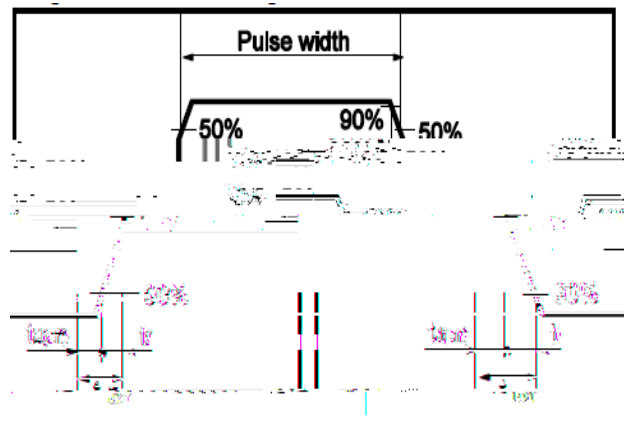


Fig.11 Avalanche Measurement Circuit

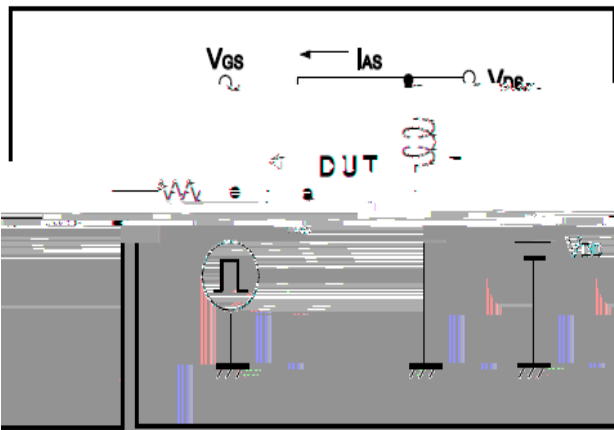


Fig.12 Avalanche Waveform

