

**P Channel Absolute Maximum Ratings  $T_c = 25$**

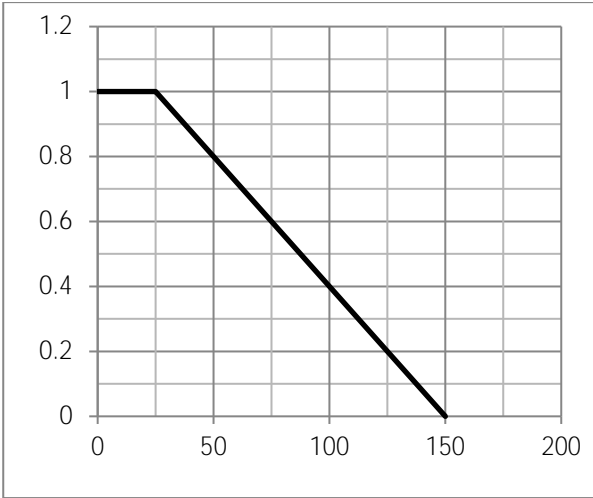
Parameter	Symbol	Rating	Unit
-----------	--------	--------	------



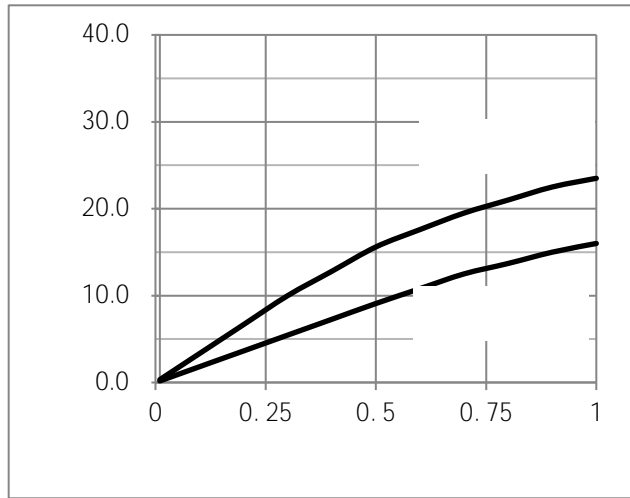


**P Channel characteristics curve**

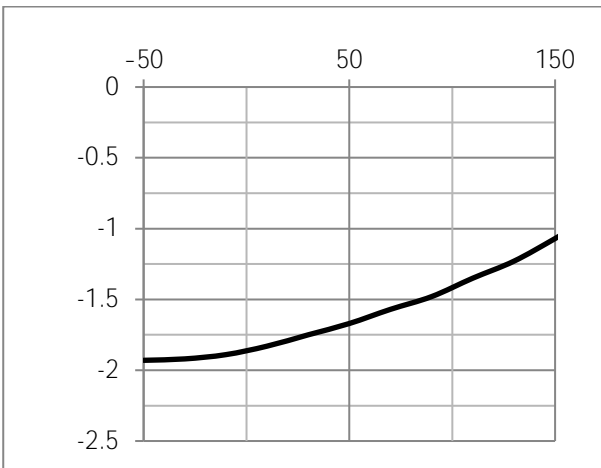
**Fig.1 Power Dissipation Derating Curve**



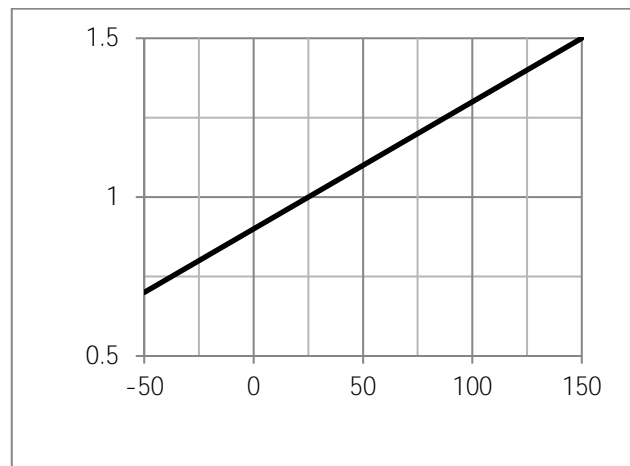
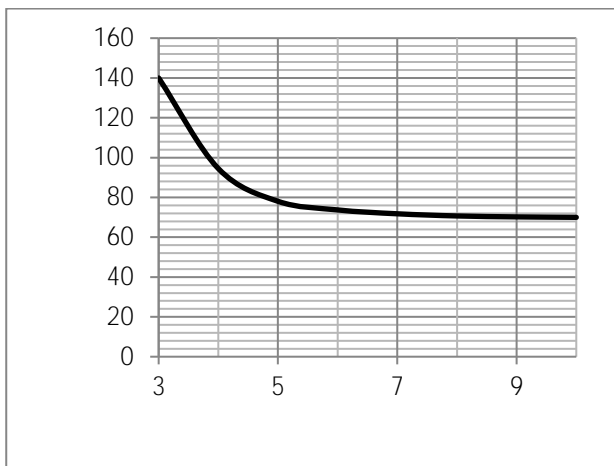
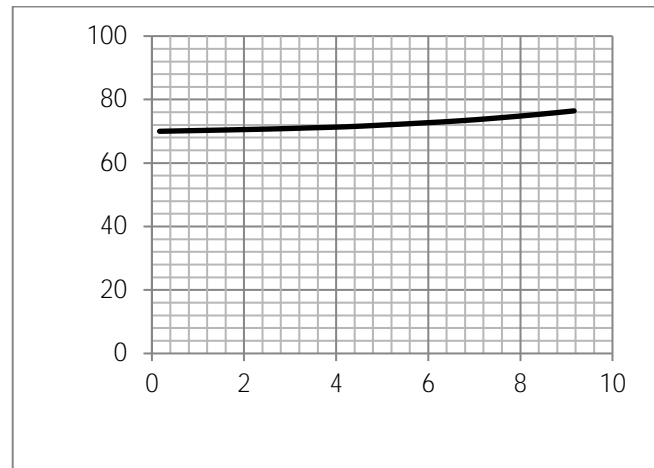
**Fig.2 Typical output Characteristics**



**Fig.3 Threshold Voltage V.S Junction Temperature**



**Fig.4 Resistance V.S Drain Current**





Test Circuit

Fig.7 Switching Time Measurement Circuit

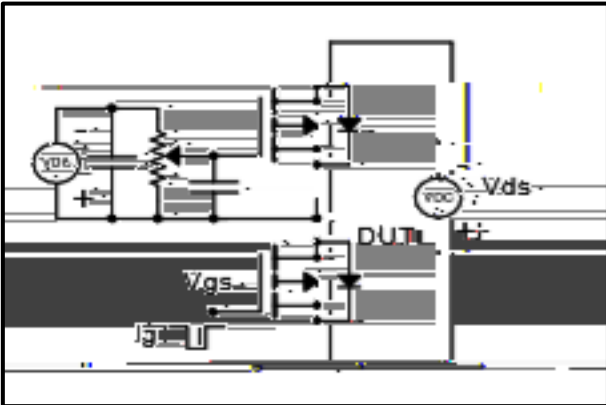


Fig.8 Gate Charge Waveform

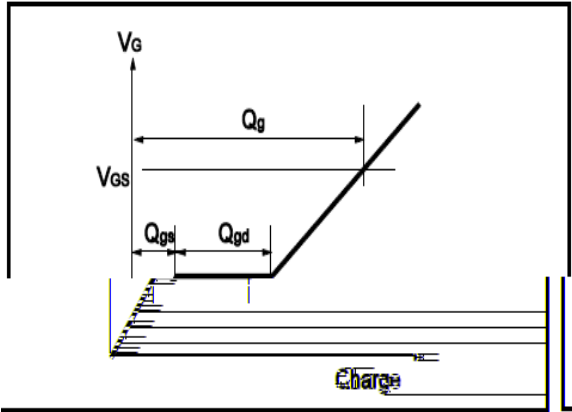


Fig.9 Switching Time Measurement Circuit

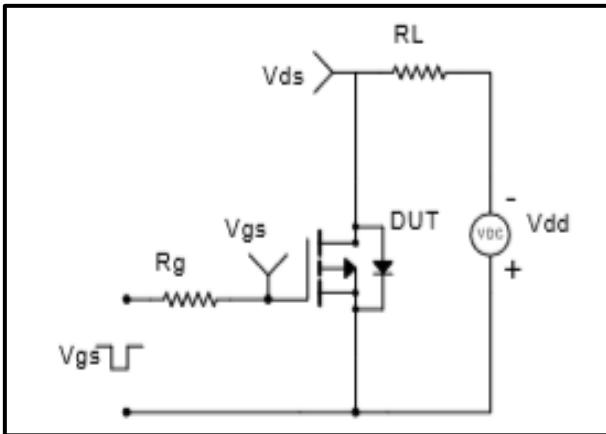


Fig.10 Gate Charge Waveform

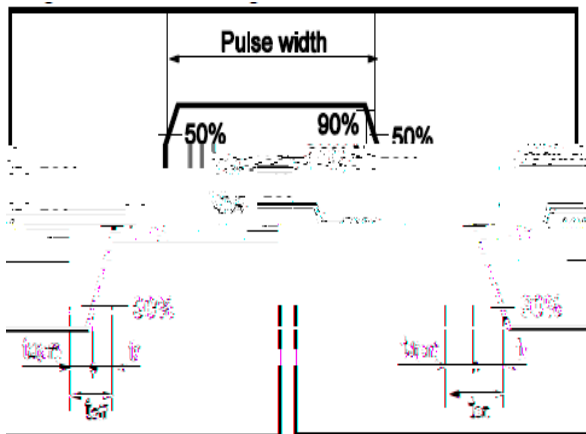


Fig.11 Avalanche Measurement Circuit

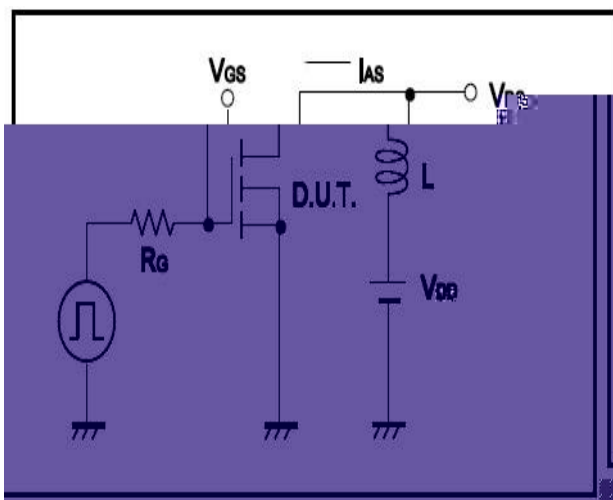
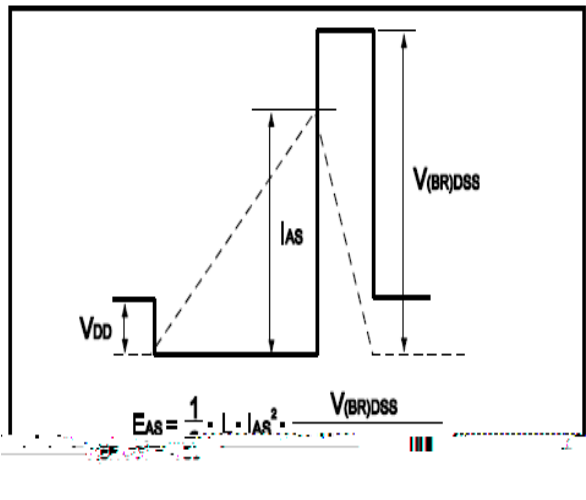


Fig.12 Avalanche Waveform





.2 3 . 3 (SOT23-6)

