



Fig.1 Gate



Fig.13 Avalanche Measurement Circuit

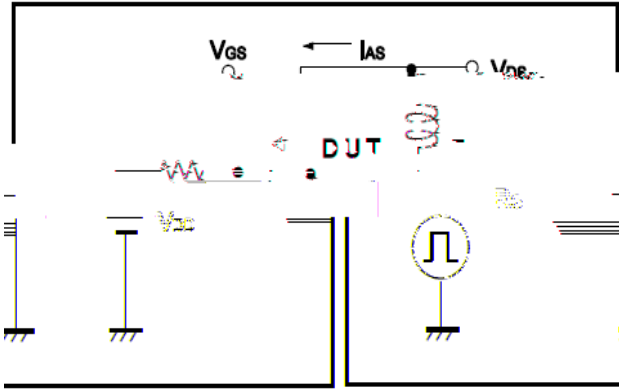
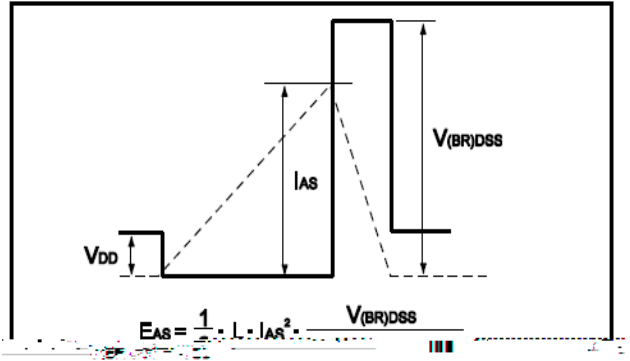


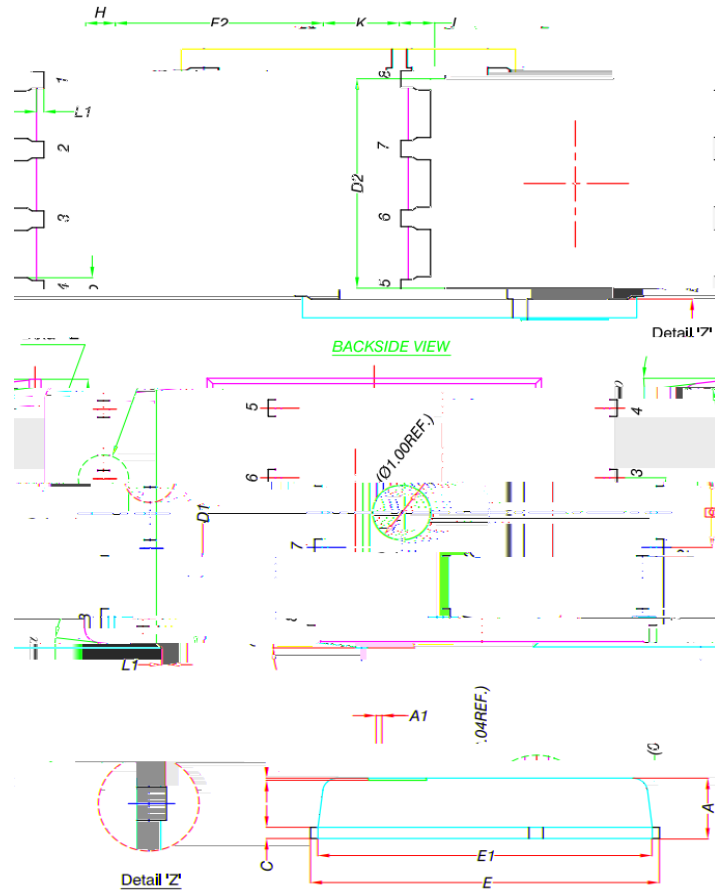
Fig.14 Avalanche Waveform





Dimensions DFN5x6

Unit mm



□

DIM.	MILLIMETERS		
	MIN.	NOM.	MAX.
A	0.90	1.00	1.10
A1	0	-	0.05
b	0.33	0.41	0.51
C	0.20	0.25	0.30
D1	4.80	4.90	5.00
D2	3.61	3.81	3.96

1	5.70	5.75	5.80	E
E2	3.38	3.58	3.78	
e	1.27 BSC			
H	0.45	0.51	0.61	
K	1.10			
L1	0.31	0.51	0.61	
L2	0.20	0.06	0.1	

□