



**T<sub>C</sub> =25**

Parameter	Symbol	Rating	Unit
Drain-Source Voltage	V <sub>DS</sub>	100	V
Gate-Source Voltage	V <sub>GS</sub>	±20	V

**Thermal resistance**

Parameter	Symbol	Min.	Typ.	Max.	Unit
Thermal resistance, junction - case	$R_{thJC}$	-	-	1.25	$^{\circ}C/W$
Thermal resistance, junction - ambient	$R_{thJA}$	-	-	120	$^{\circ}C/W$
Soldering temperature, wavesoldering for 10s	$T_{sold}$	-	-	265	$^{\circ}C$

Parameter	Symbol	Condition	Min.	Typ	Max.	Unit
Drain-Source Breakdown Voltage	$BV_{DSS}$	$V_{GS}=0V, I_D=250\mu A$	100			V
Gate Threshold Voltage	$V_{GS(TH)}$	$V_{GS}=V_{DS}, I_D=250\mu A$	1.2	1.8	2.5	V
Drain-Source Leakage Current	$I_{DSS}$	$V_{DS}=100V, V_{GS}=0V$			1.0	$\mu A$
Gate- Source Leakage Current	$I_{GSS}$	$V_{GS}=\pm 20V, V_{DS}=0V$			100	nA
Static Drain-source On Resistance		$V_{GS}=10V, I_D=30A$				
		$V_{GS}=4.5V, I_D=20A$				
Forward Transconductance	$g_{FS}$	$V_{DS}=10V, I_D=40A$				
Diode Forward Voltage	$V_{FSD}$	$I_S=30A$				

Parameter	Symbol	Condition	Min.	Typ	Max.	Unit
Input capacitance	$C_{iss}$	$f = 1MHz$	-	2000	-	pF
Output capacitance	$C_{oss}$		-	780	-	
Reverse transfer capacitance	$C_{rss}$		-	80	-	

**Gate Charge characteristics( $T_a = 25$  )**

Parameter	Symbol	Condition	Min.	Typ	Max.	Unit
Total gate charge	$Q_g$	$V_{DD}=25V$	-	36	-	
Gate - Source charge	$Q_{gs}$	$I_D = 8A$ $V_{GS} = 10V$	-	4.8		nC



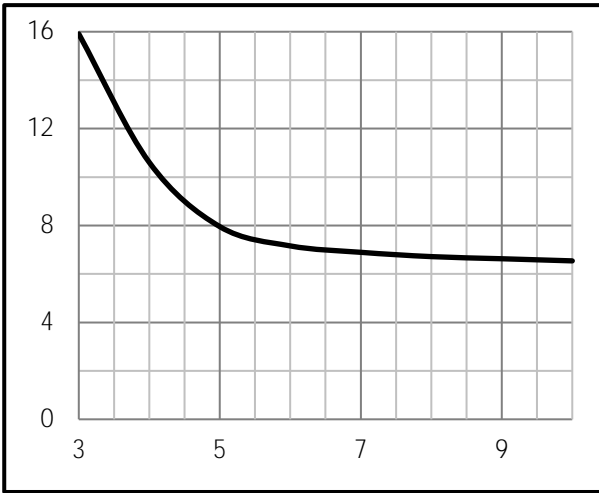


Fig.9 Switching Time Measurement Circuit

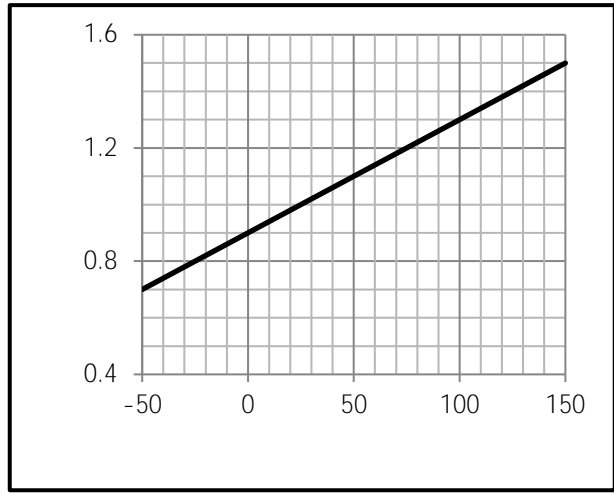


Fig.10 Gate Charge Waveform

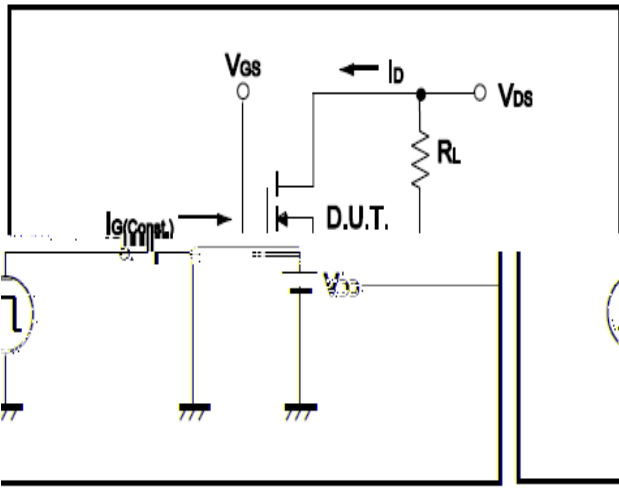


Fig.11 Switching Time Measurement Circuit

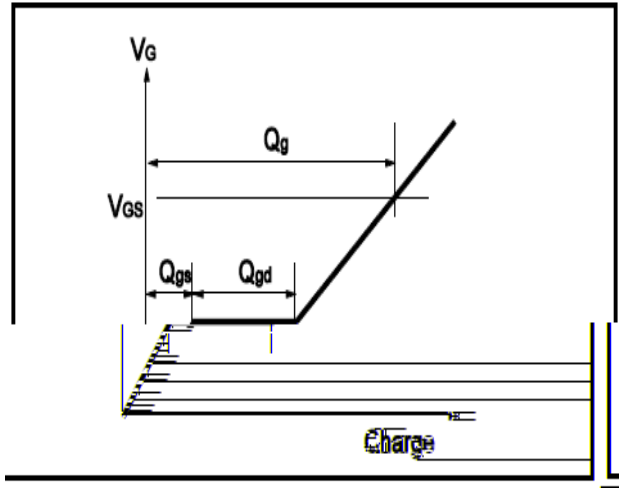
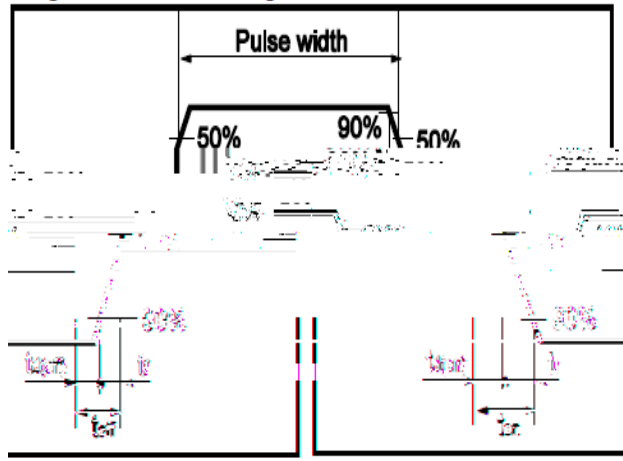
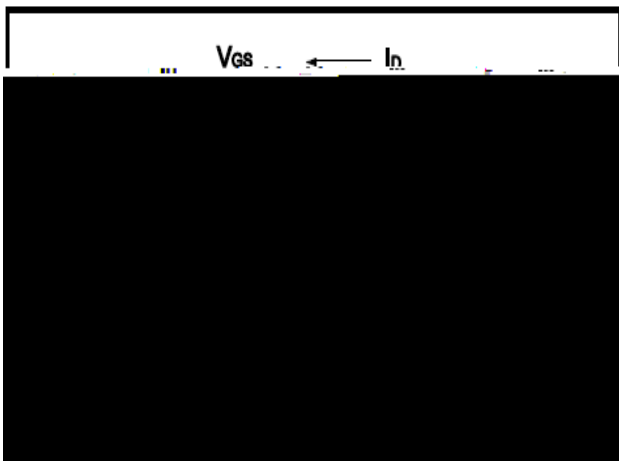


Fig.12 Gate Charge Waveform





Dimensions (TO-220F)

Unit mm

