



Turn-Off Fall time	t_f			76		
Body Diode Reverse Recovery Time	t_{rr}	$I_F=20A,$ $dI/dt=100A/\mu s$		47		



Fig.5 Threshold Voltage V.S Junction Temperature

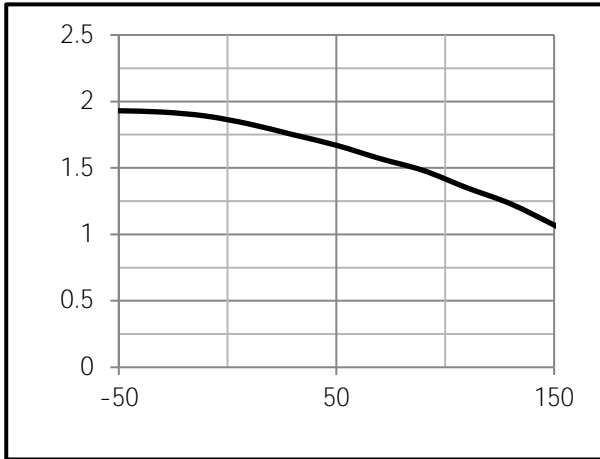


Fig.6 Resistance V.S Drain Current

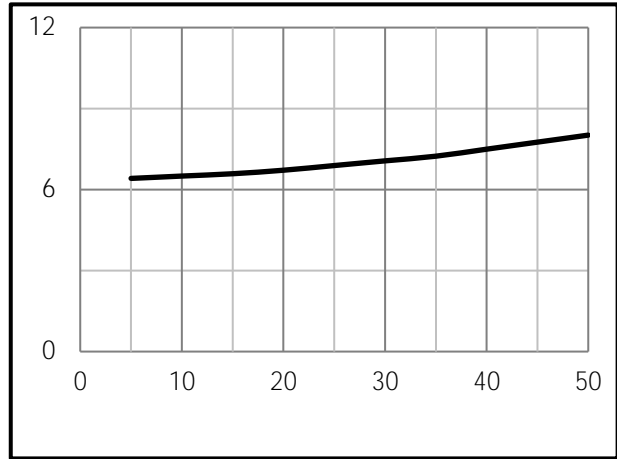


Fig.7 On-Resistance VS Gate Source Voltage

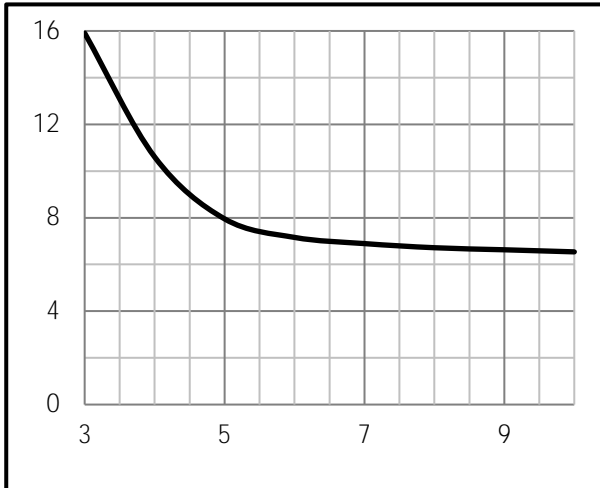


Fig.8 On-Resistance V.S Junction Temperature

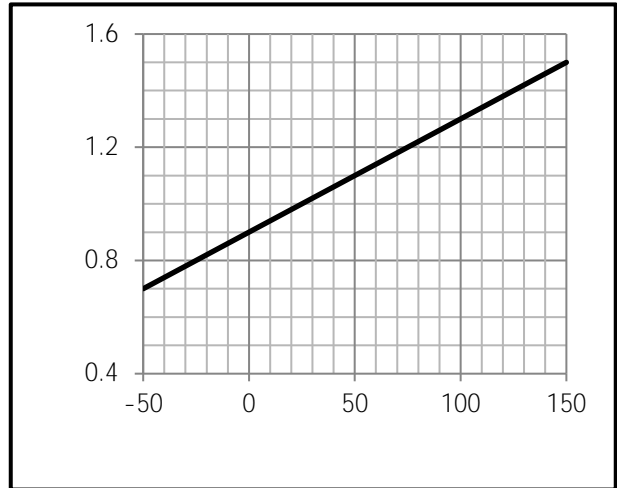


Fig.9 Switching Time Measurement Circuit

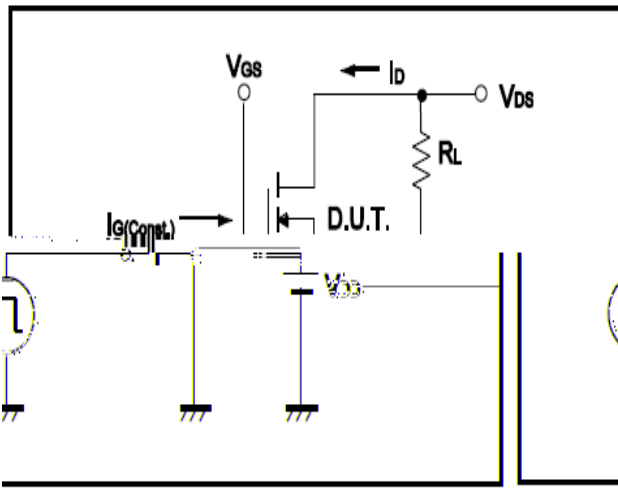
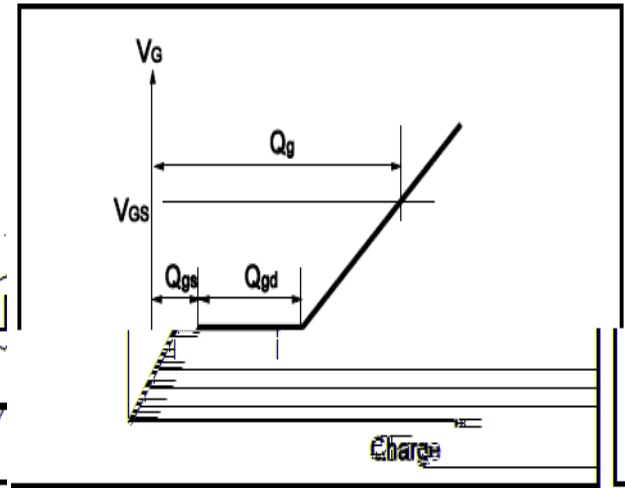


Fig.10 Gate Charge Waveform







Dimensions (TO-220)

Unit mm

	2..		2
	0.		.			0 2	
	..		2.		.		2
	.		..		0 .		2 .
	. 1		.		1..	1 .	2..
	..		.		0 .		1..
	.		.		0..		1..
					1 .		1 .

