





**Thermal resistance**

Parameter	Symbol	Min.	Typ.	Max.	Unit
Thermal resistance, junction - case	$R_{thJC}$	-	-	1.5	C/W
Thermal resistance, junction - ambient	$R_{thJA}$	-	-	37	C/W
Soldering temperature, wave soldering for 10s	T				

---





Fig.13 Switching Time Measurement Circuit

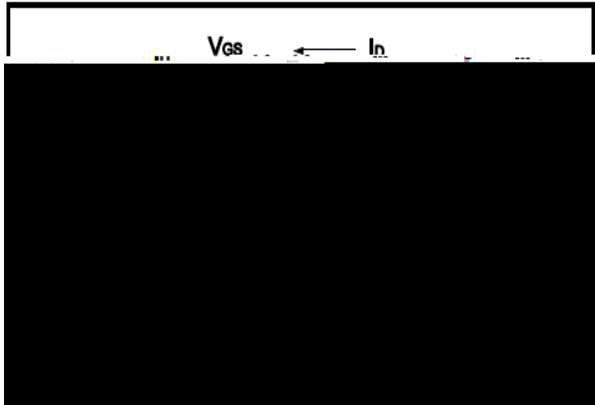


Fig.14 Gate Charge Waveform

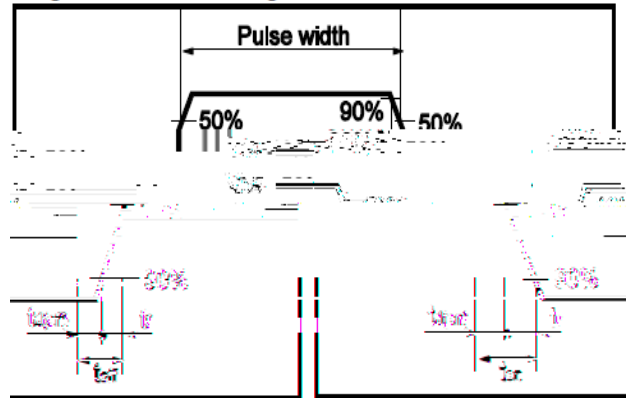


Fig.15 Avalanche Measurement Circuit

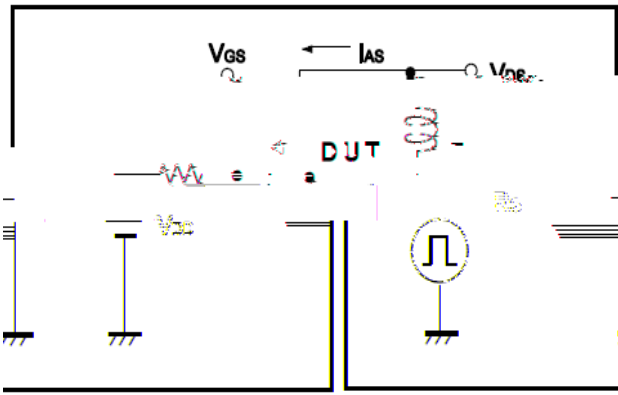
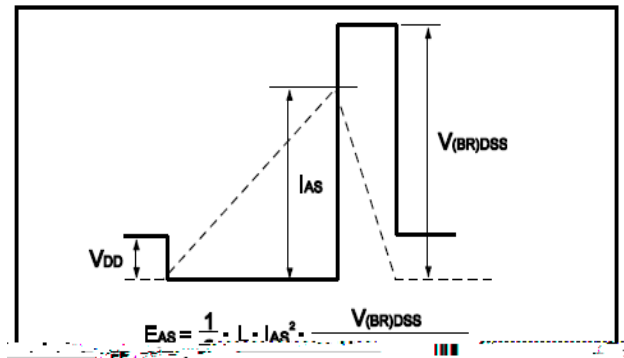


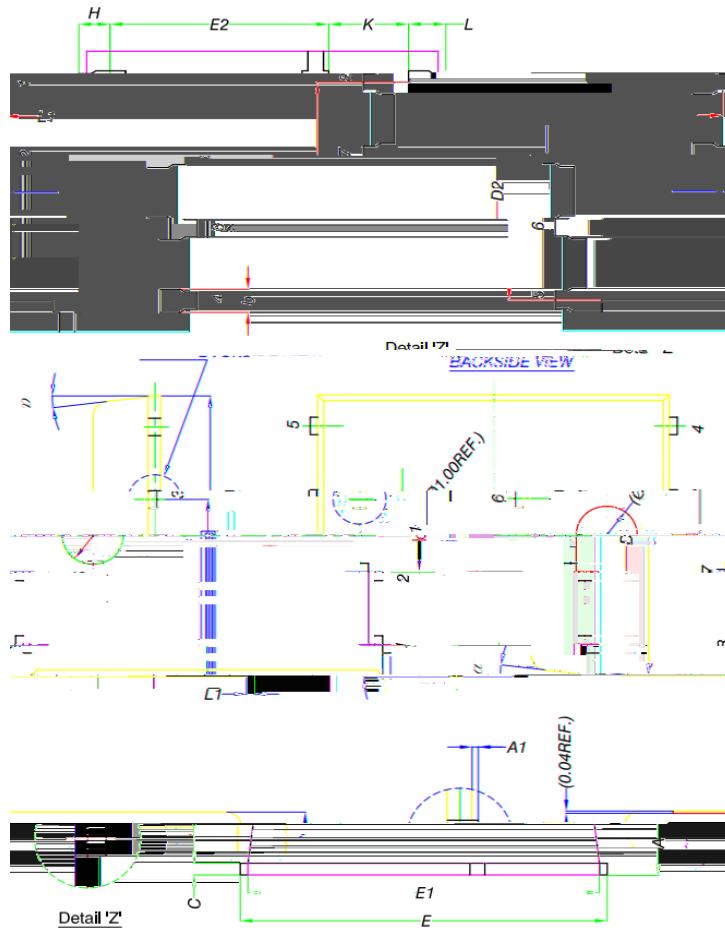
Fig.16 Avalanche Waveform





Dimensions DFN5x6

Unit mm



MILLIMETERS

D1	4.80	4.90	5.00
D2	3.67	3.81	3.96
	5.90	6.00	6.10
E1	5.20	5.30	5.40
e	1.27 BSC		
	0.41	0.51	0.61
	1.10		
		0.51	0.61
		0.51	0.61
			12°