

Fig.7 Switching Time Measurement Circuit

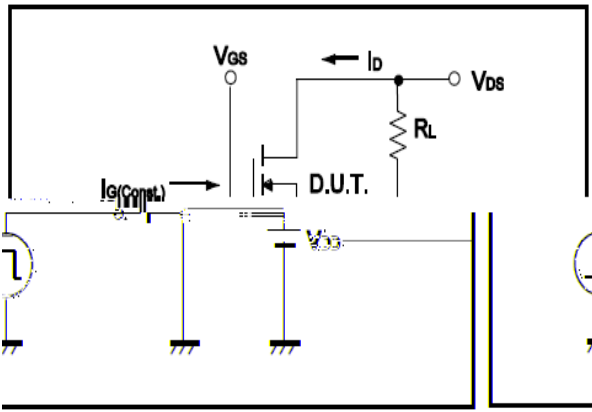


Fig.8 Gate Charge Waveform

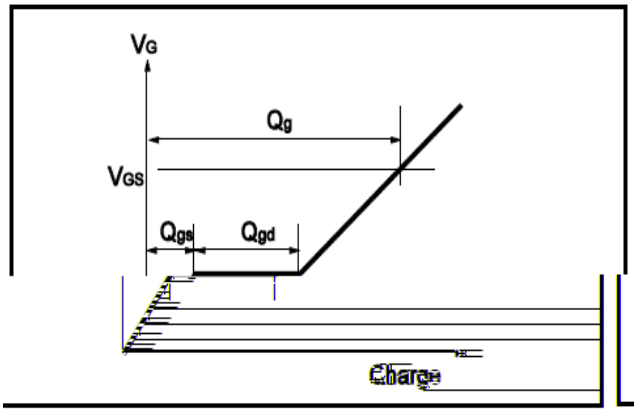


Fig.9 Switching Time Measurement Circuit

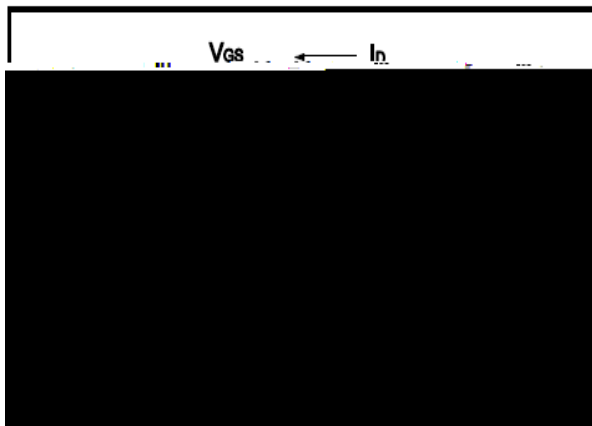


Fig.10 Gate Charge Waveform

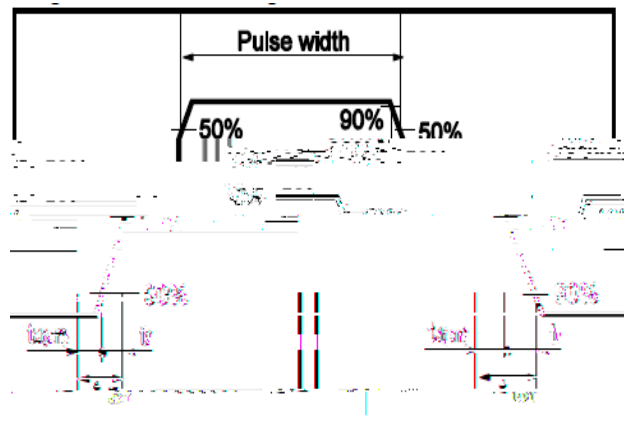


Fig.11 Avalanche Measurement Circuit

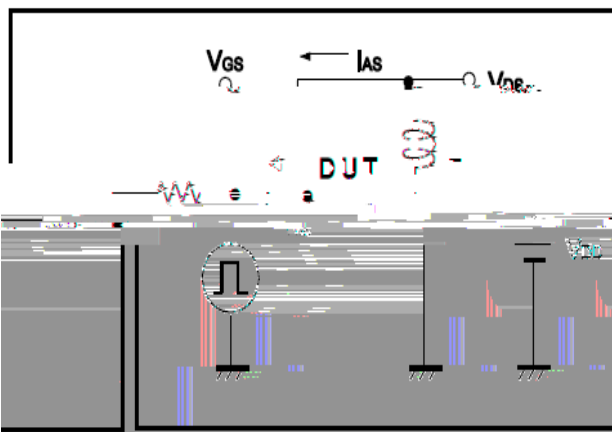
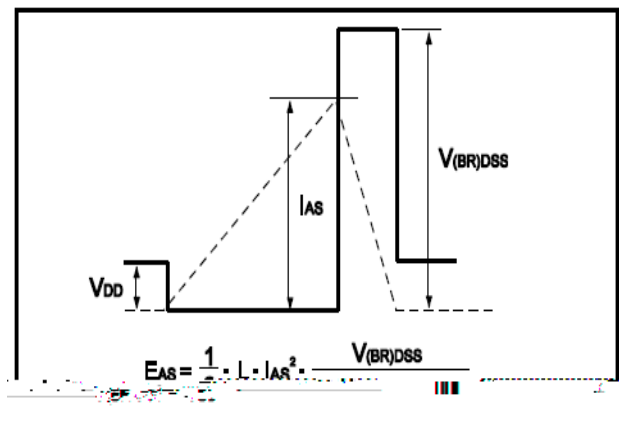


Fig.12 Avalanche Waveform



Unit mm

SYMBOL	mi n	max	SYMBOL	mi n	max
A	2.10	2.50	D	6.35	6.80
A1	0.95	1.30	D1	5.10	5.50
B	0.80	1.25	E	5.30	6.30
b	0.50	0.80	e	2.24	2.35
b1	0.70	0.90	E1	4.43	4.73
c	0.45	0.60	L	7.00	9.40
c1	0.45	0.60			

