



$T_C = 25$

	Symbol	Rating	Unit
V _{DS}	V _{DS}	100	V
V _{GS}	V _{GS}	±20	V
Current	I _{D@TC=25}	15	A
	I _{D@TC=75}	11.4	A
	I _{D@TC=100}	9.4	A
Pulsed Drain Current	I _{DM}	32	A
Total Power Dissipation	P _{D@TC=25}	3.6	W
Total Power Dissipation	P _{D@TA=25}	0.69	W

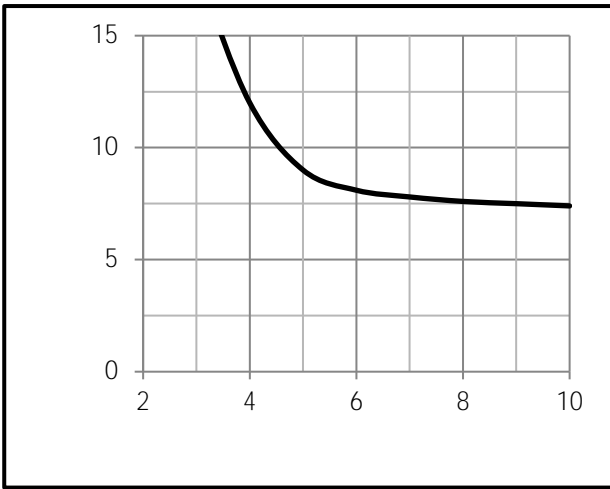


Fig.9 Switching Time Measurement Circuit

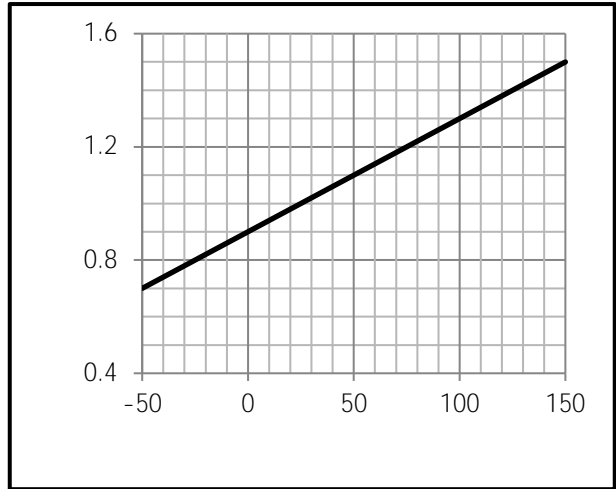


Fig.10 Gate Charge Waveform

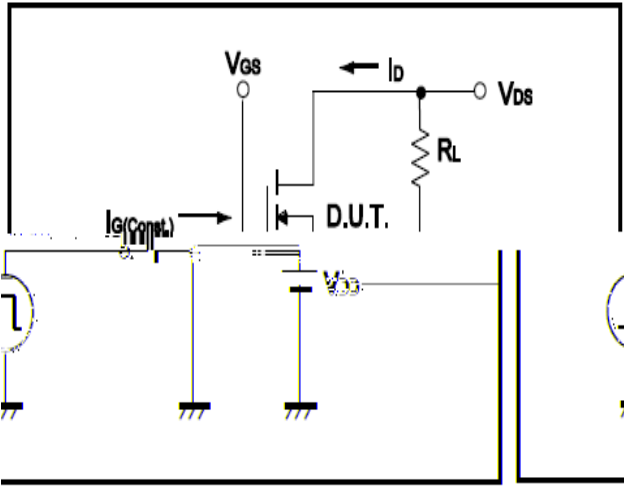


Fig.11 Switching Time Measurement Circuit

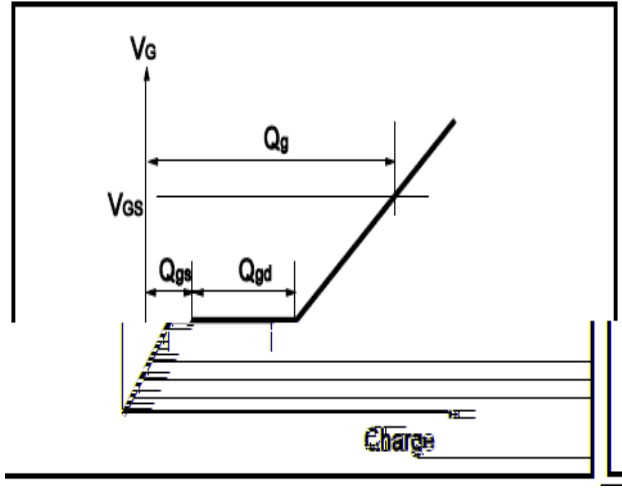


Fig.12 Gate Charge Waveform

