



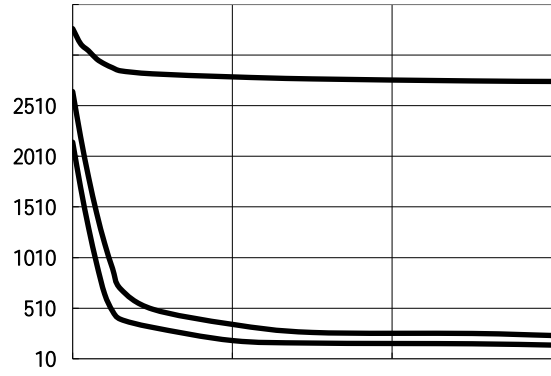
**T<sub>c</sub> =25**

Parameter	Symbol	Rating	Unit
Drain-Source Voltage	V <sub>DS</sub>	-20	V
Gate-Source Voltage	V <sub>GS</sub>	±12	V
Continuous Drain Current(TC=25°C)	I <sub>D@TC=25°C</sub>	-42	A
	I <sub>D@TC=75°C</sub>	-32	A
	I <sub>D@TC=100°C</sub>	-26	A
Pulsed Drain Current ①	I <sub>DM</sub>	-126	A
Total Power Dissipation	P <sub>D</sub>	85	W
Total Power Dissipation(TA=25°C)	P <sub>D@TA=25°C</sub>	3.4	W
Operating Junction Temperature	T <sub>J</sub>		



**Thermal resistance**

Parameter	Symbol	Min.	Typ.	Max.	Unit
Thermal resistance, junction - case	R <sub>thJC</sub>	-	-	1.5	° C/W
Thermal resistance, junction - ambient	R <sub>thJA</sub>	-	-	37	° C/W
Soldering temperature, wave soldering for 10s	T <sub>sold</sub>	-			



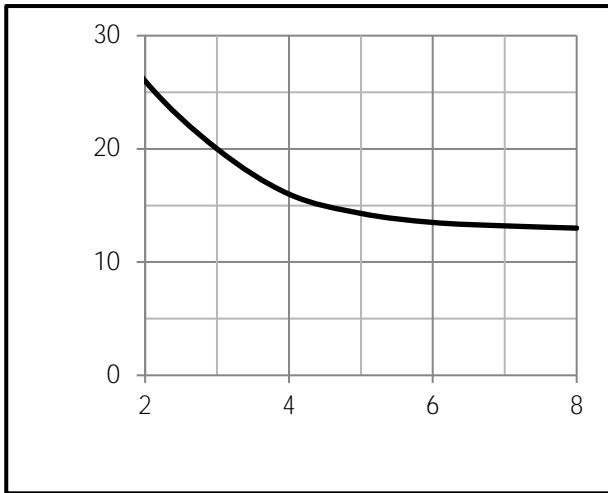


Fig.9 Switching Time Measurement Circuit

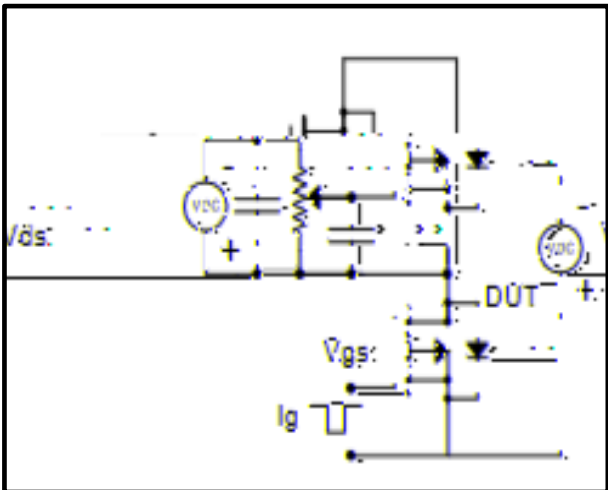


Fig.11 Switching Time Measurement Circuit

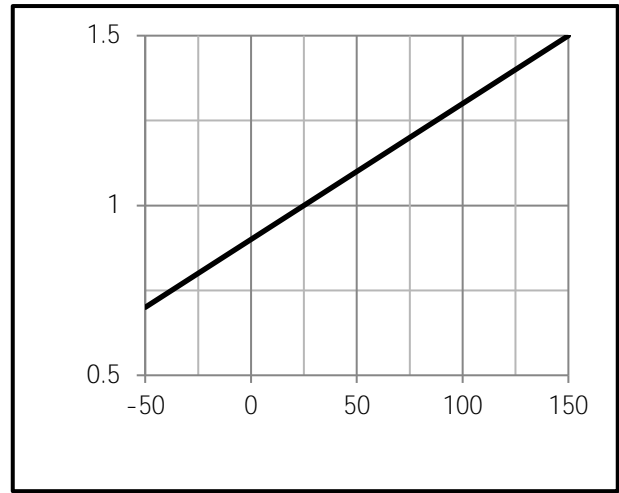
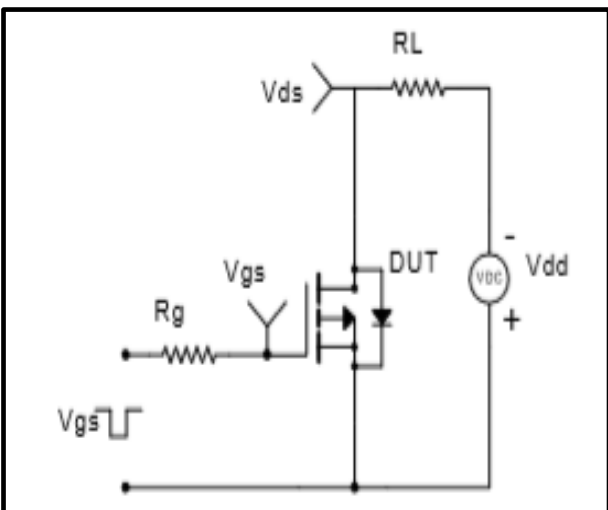


Fig.10 Gate Charge Waveform

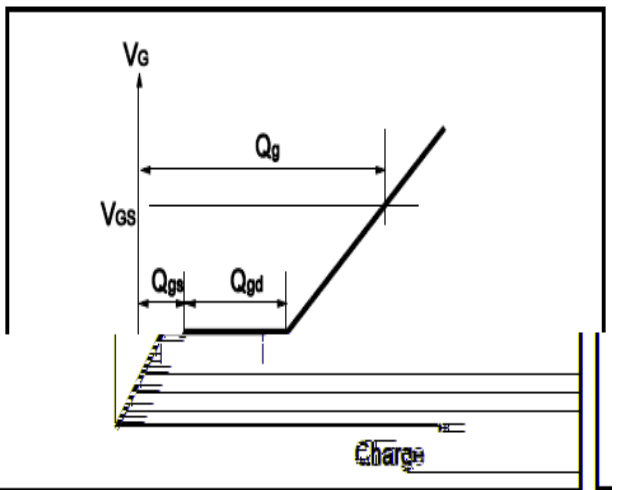
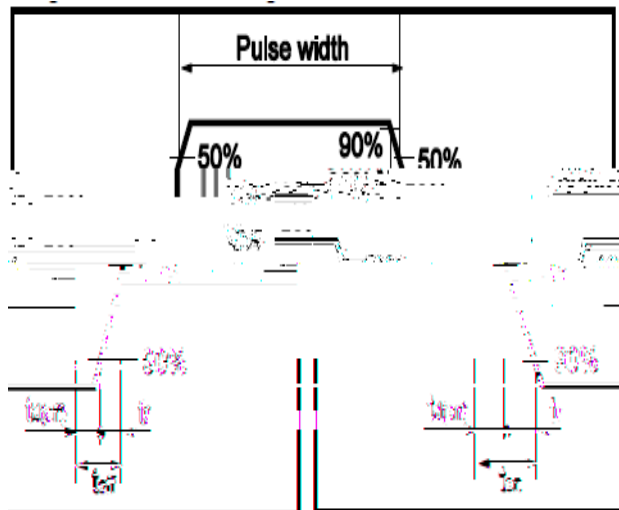


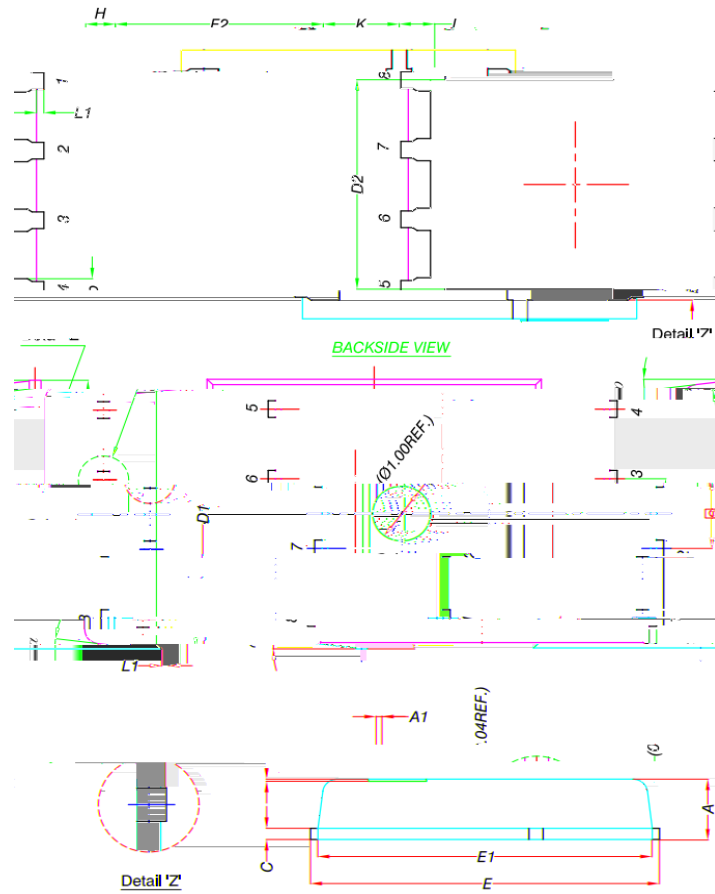
Fig.12 Gate Charge Waveform





Dimensions DFN5x6

Unit mm



DIM.	MILLIMETERS		
	MIN.	NOM.	MAX.
A	0.90	1.00	1.10
A1	0	-	0.05
b	0.33	0.41	0.51
C	0.20	0.25	0.30
D1	4.80	4.90	5.00
D2	3.61	3.81	3.96

