





**Thermal resistance**

Parameter-	Symbol-	Min.	Typ.	Max.	Unit
Thermal resistance, junction - case	$R_{thJC}$	-	-	1	° C/W
Thermal resistance, junction - ambient					



D-

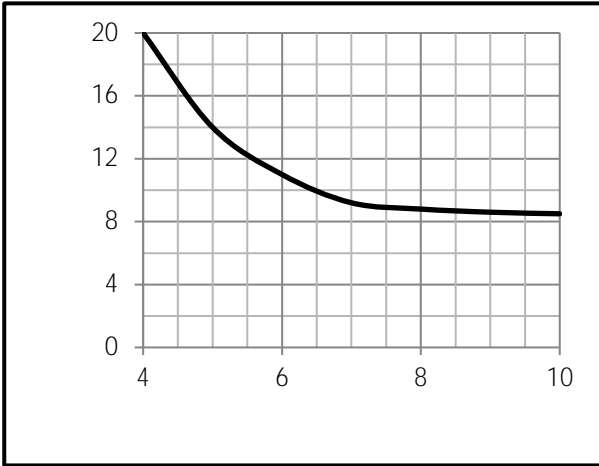


Fig.9 Switching Time Measurement Circuit

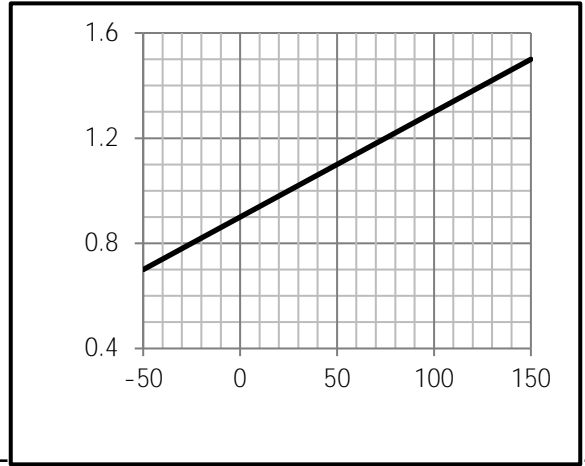


Fig.10 Gate Charge Waveform--

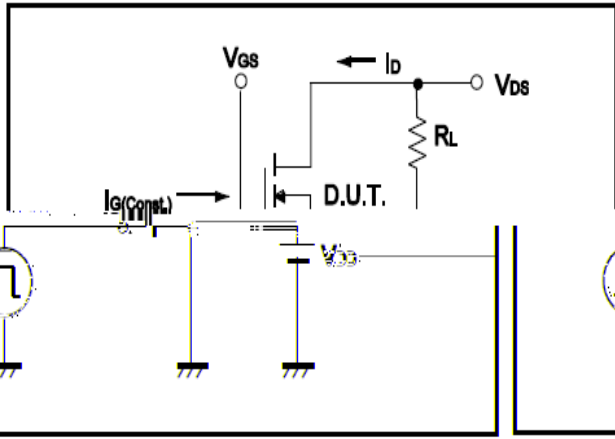


Fig.11 Switching Time Measurement Circuit

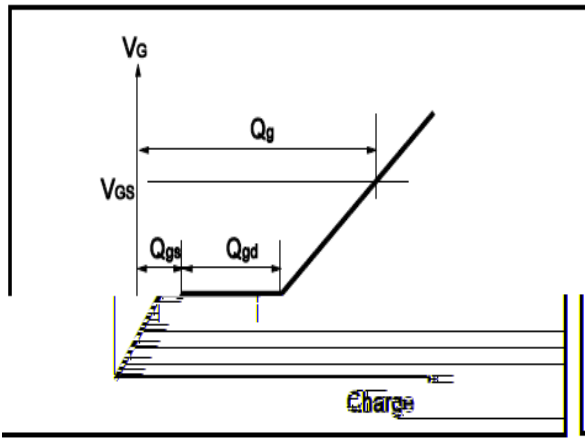


Fig.12 Gate Charge Waveform

