

**Ordering Information:****Absolute Maximum Ratings  $T_C = 25$** 

Parameter	Symbol	Rating	Unit
Drain-Source Voltage	$V_{DS}$	30	V
Gate-Source Voltage	$V_{GS}$	$\pm 20$	V
Continuous Drain Current	$I_D@T_C=25$	22	A
	$I_D@T_C=75$	16.7	A
	$I_D@T_C=100$	13.8	A
Pulsed Drain Current	$I_{DM}$	66	A
Total Power Dissipation	$P_D@T_C=25$	4.0	W
Total Power Dissipation	$P_D@T_A=25$	0.75	W
Operating Junction Temperature	$T_J$	-55 to 150	
Storage Temperature	T		



**Thermal resistance**

Parameter	Symbol	Min.	Typ.	Max.	Unit
Thermal resistance, junction - case					



Fig.

Fig.7 Switching Time Measurement Circuit

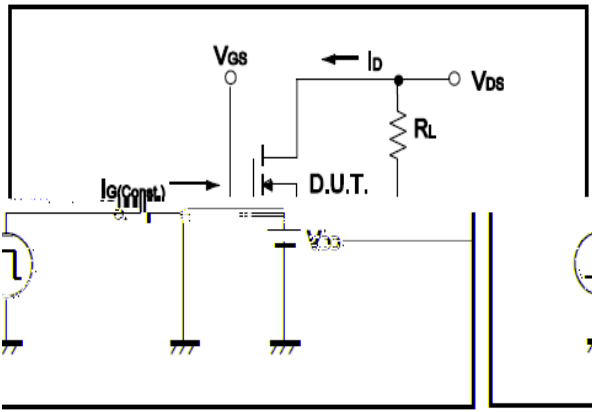


Fig.8 Gate Charge Waveform

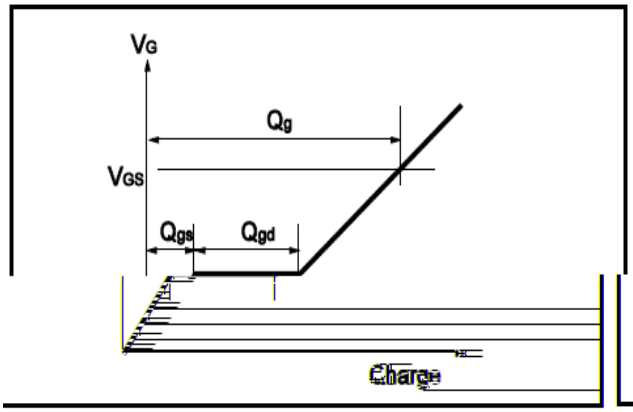


Fig.9 Switching Time Measurement Circuit

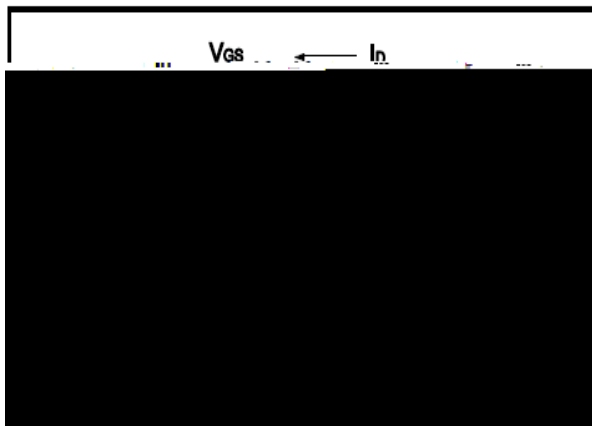


Fig.10 Gate Charge Waveform

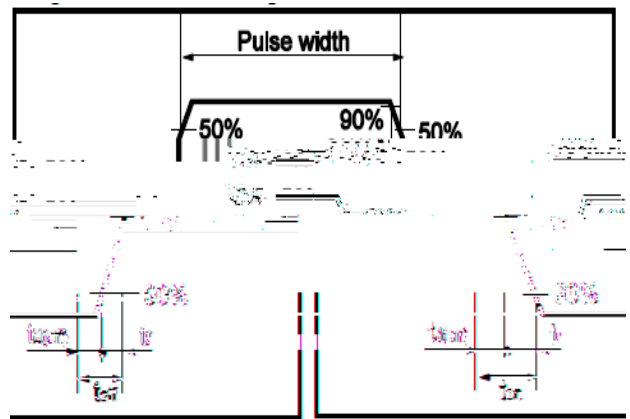


Fig.11 Avalanche Measurement Circuit

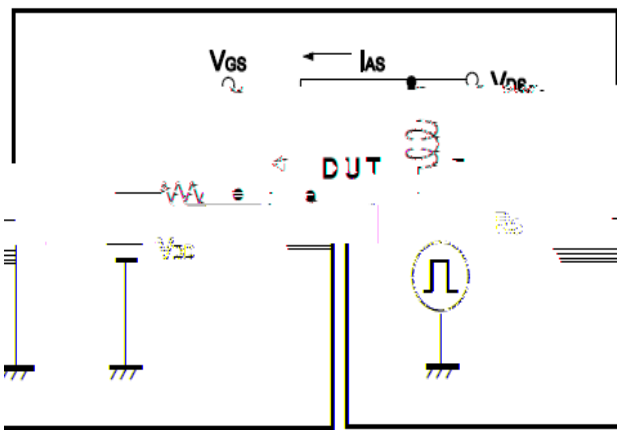
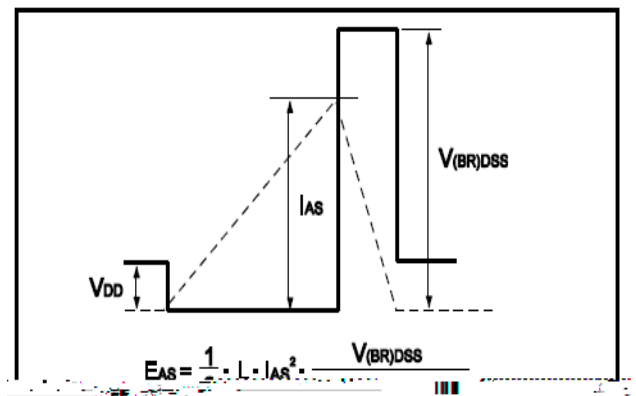


Fig.12 Avalanche Waveform





**Dimensions(SOP8)**

Unit: mm

SYMBOL	min	TYP	max	SYMBOL	min	max
A	4.80		5.25	C	1.30	1.75
A1						