

**General Description**

It combines advanced trench MOSFET technology with a low resistance package to provide extremely low $R_{DS(ON)}$.

Ordering Information:**Absolute Maximum Ratings** $T_C = 25$

Parameter	Symbol	Rating	Unit
Drain-Source Voltage	V_{DS}	120	V
Gate-Source Voltage	V_{GS}	± 20	V
Continuous Drain Current	$I_{D@TC=25}$	120	A
	$I_{D@TC=75}$	91	A
	$I_{D@TC=100}$	75	A
Pulsed Drain Current	I_{DM}	360	A
Total Power Dissipation	$P_D@TC=25$	85	W
Total Power Dissipation	$P_D@TA=25$	3.4	W
Operating Junction Temperature	T_J	-55 to 150	
Storage Temperature	T_{STG}	-55 to 150	
Single Pulse Avalanche Energy@L=0.1mH	E_{AS}	320	mJ

Thermal resistance

Parameter	Symbol	Min.	Typ.	Max.	Unit
Thermal resistance, junction - case	R_{thJC}	-	-	1.5	° C/W
Thermal resistance, junction - ambient	R_{thJA}	-	-	37	° C/W
Soldering temperature, wave soldering for 10s	T_{sold}	-	-	265	° C

Electronic Characteristics

Parameter	Symbol	Condition	Min.	Typ.	Max.	Unit
Drain-Source Breakdown Voltage	BV_{DSS}	$V_{GS} = 0V, I_D = 250\mu A$	120			V
Gate Threshold Voltage	$V_{GS(TH)}$	$V_{GS} = V_{DS}, I_D = 250\mu A$	2.0		4.0	V
Drain-Source Leakage Current	I_{DSS}	$V_{DS} = 120V, V_{GS} = 0V$			1.0	μA
Gate- Source Leakage Current	I_{GSS}	$V_{GS} = \pm 20V, V_{DS} = 0V$			100	nA
Static Drain-source On Resistance		$V_{GS} = 10V, I_D = 25A$				
		$V_{GS} = 10V, I_D = 20A$				

Forward Transconductance g_{FS} $V_{DS} = 25V, I_D = 10A$



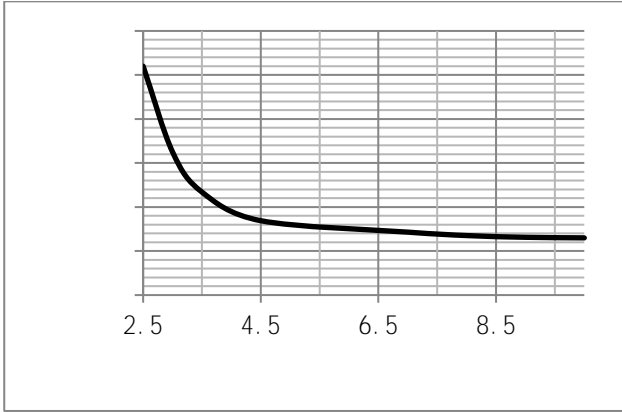


Fig.9 SOA Maximum Safe Operating Area

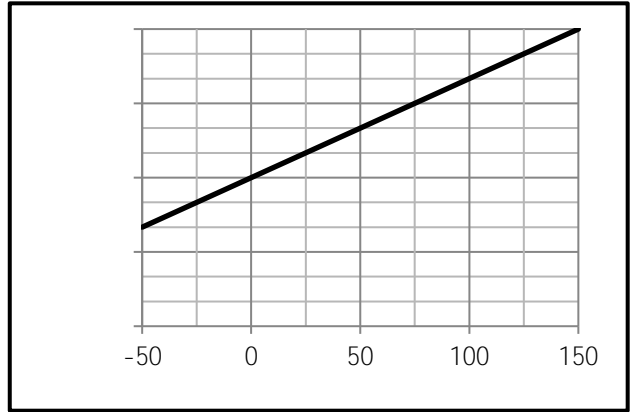


Fig.10 I_D -Junction Temperature

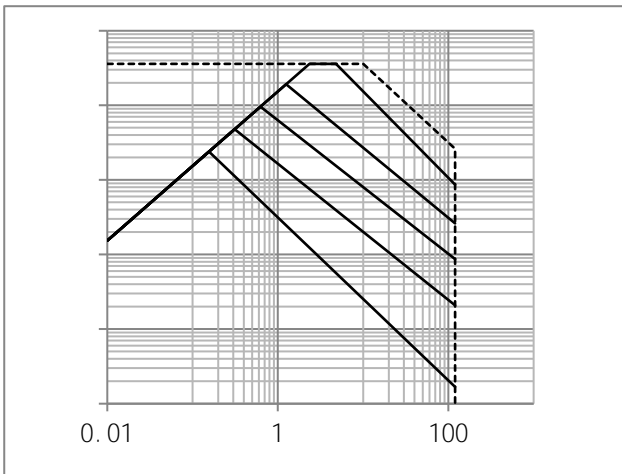


Fig.11 Switching Time Measurement Circuit

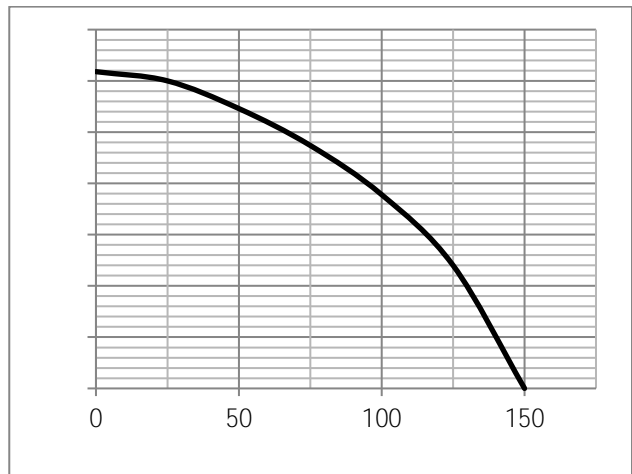


Fig.12 Gate Charge Waveform

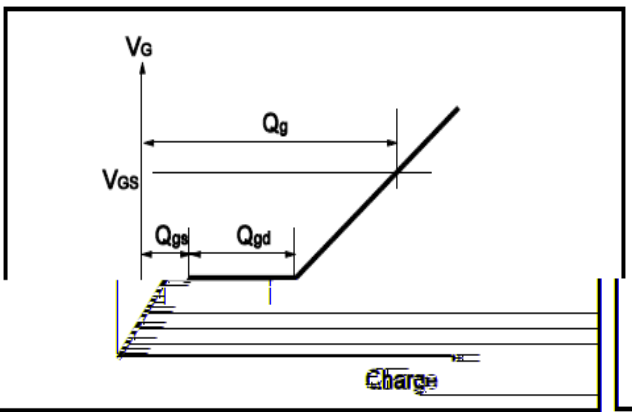
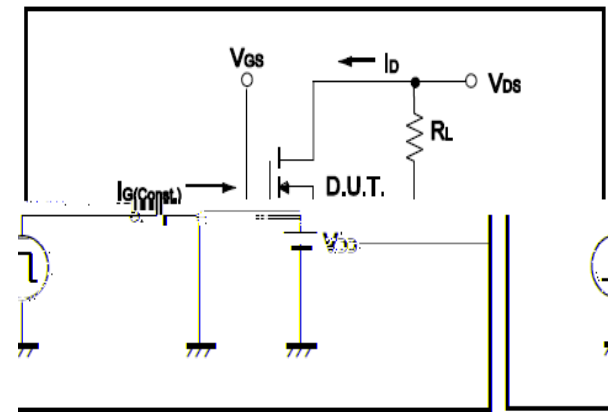


Fig.13 Switching Time Measurement Circuit

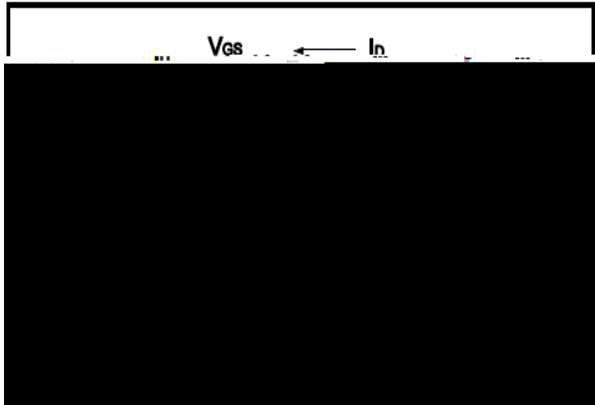


Fig.14 Gate Charge Waveform

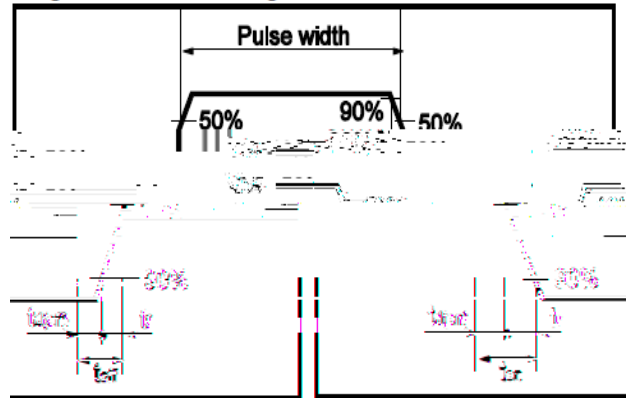


Fig.15 Avalanche Measurement Circuit

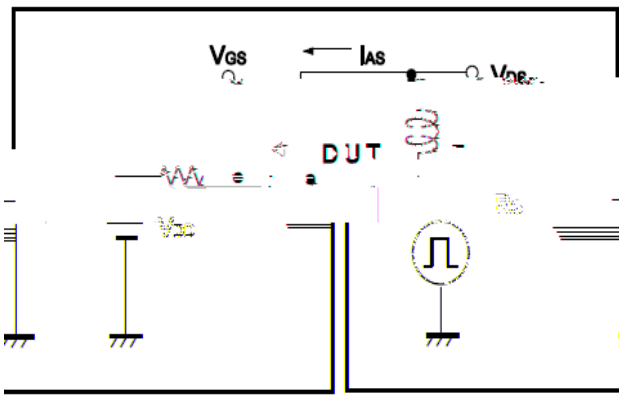
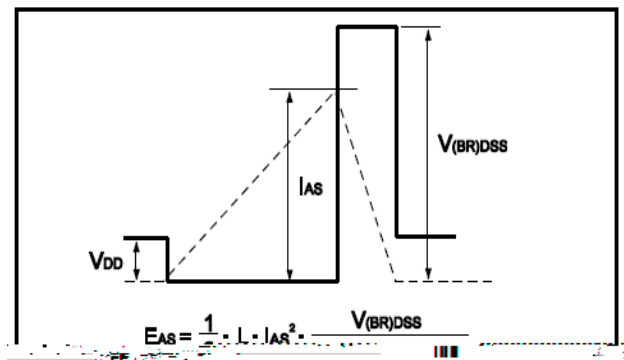


Fig.16 Avalanche Waveform





Dimensions (TO-220)

Unit mm

	2..		2
	0.		.			0 2	
	..		2.		.		2
	.		..		0 .		2 .
	. 1		.		1..	1 .	2..
	..		.		0 .		1..
	.		.		0..		1..
					1 .		1 .

