

Thermal resistance

Parameter	Symbol	Min.	Typ.	Max.	Unit
Thermal resistance, junction - case	R_{thJC}	-	-	80	° C/W
Thermal resistance, junction - ambient	R_{thJA}	-	-	180	° C/W
Soldering temperature, wavesoldering for 10s	T_{sold}	-	-	265	° C

Parameter	Symbol	Condition	Min.	Typ	Max.	Unit
Drain-Source Breakdown Voltage	BV_{DSS}	$V_{GS}=0V, I_D=-250\mu A$	-60			V
Gate Threshold Voltage	$V_{GS(TH)}$	$V_{GS}=V_{DS}, I_D=-250\mu A$	-1.2		-2.5	V
Drain-Source Leakage Current	I_{DSS}	$V_{DS}=-60V, V_{GS}=0V$			1.0	μA
Gate- Source Leakage Current	I_{GSS}	$V_{GS}=\pm 20V, V_{DS}=0V$			± 100	nA
Static Drain-source On Resistance		$V_{GS}=-10V, I_D=-3A$		103	120	m Ω
		$V_{GS}=-4.5V, I_D=-2A$		128	166	m Ω

Forward Tr0.56 T.6 427.99 154.:

Fig.1 Power Dissipation Derating Curve

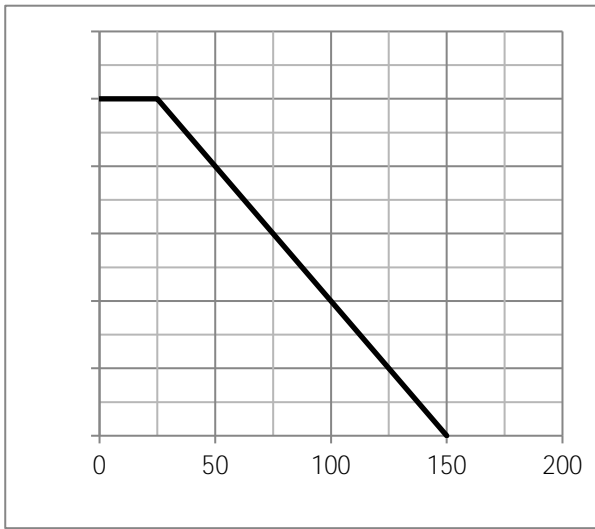


Fig.2 Typical output Characteristics

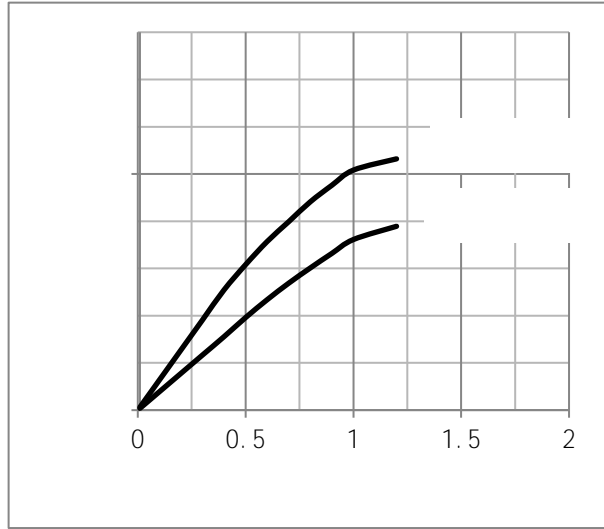


Fig.3 Threshold Voltage V.S Junction Temperature

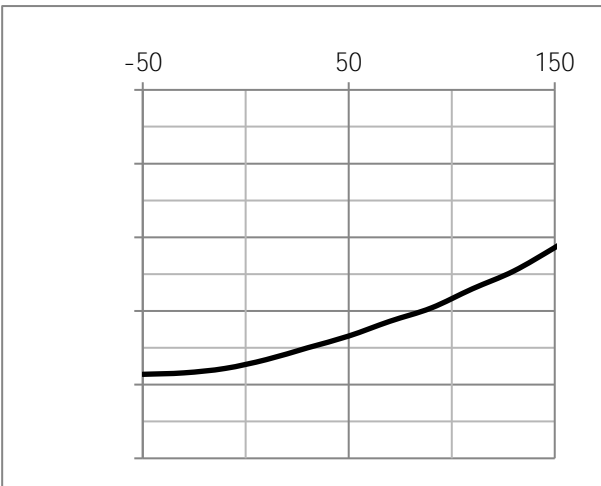


Fig.4 Resistance V.S Drain Current

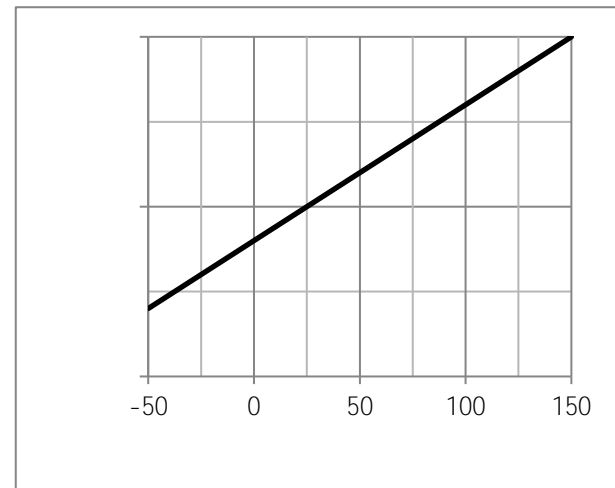
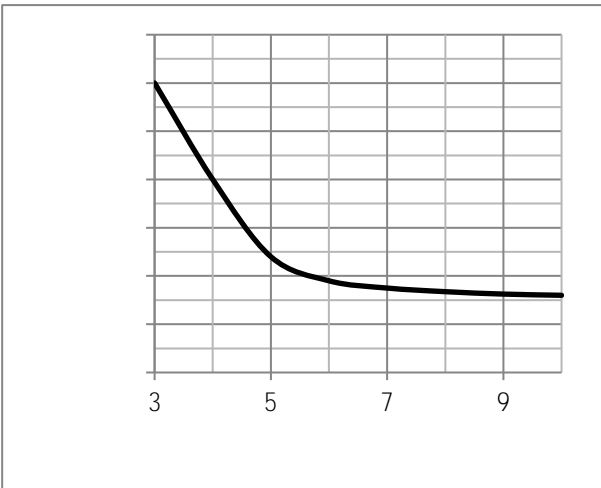
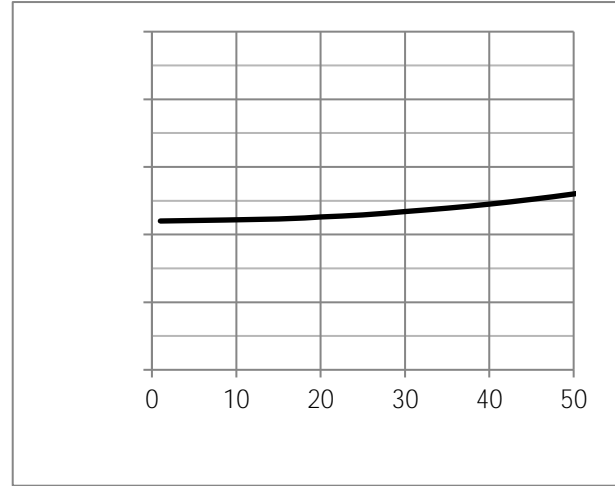


Fig.7 Switching Time Measurement Circuit

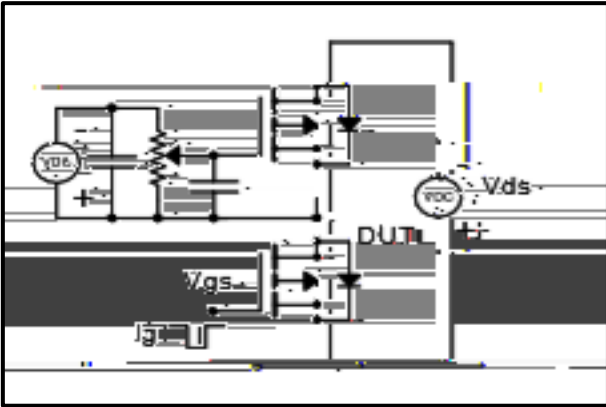


Fig.8 Gate Charge Waveform

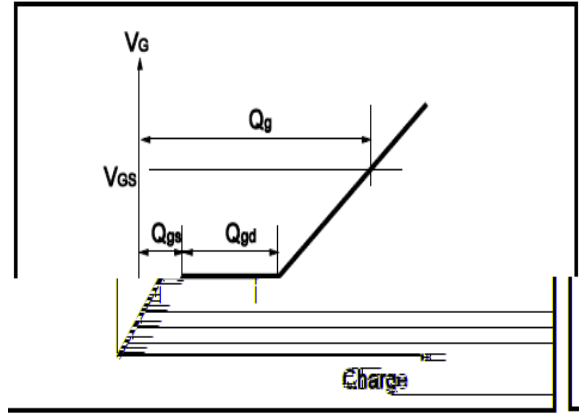


Fig.9 Switching Time Measurement Circuit

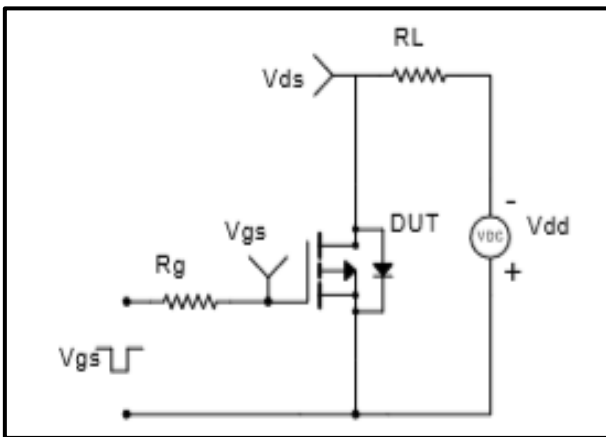


Fig.10 Gate Charge Waveform

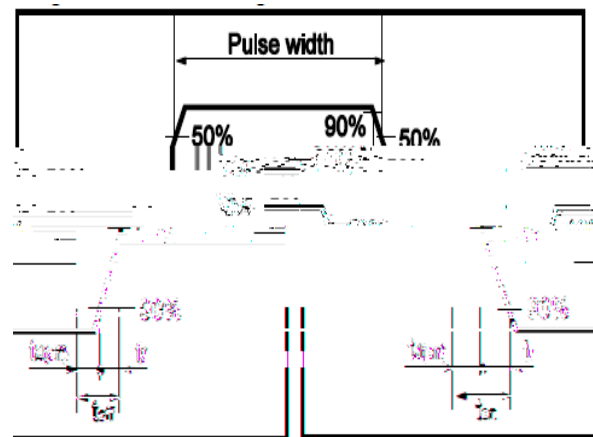


Fig.11 Avalanche Measurement Circuit

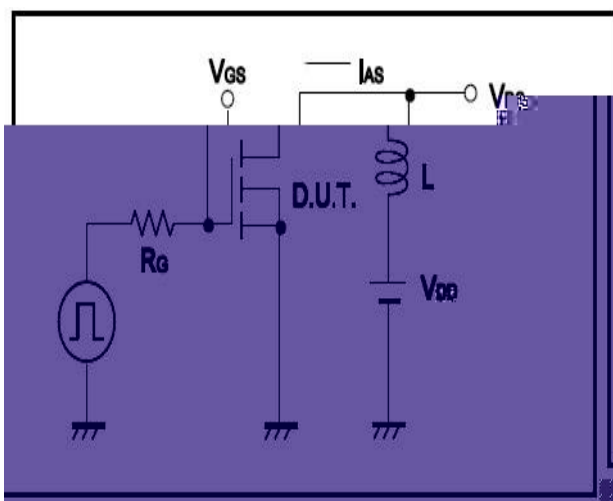
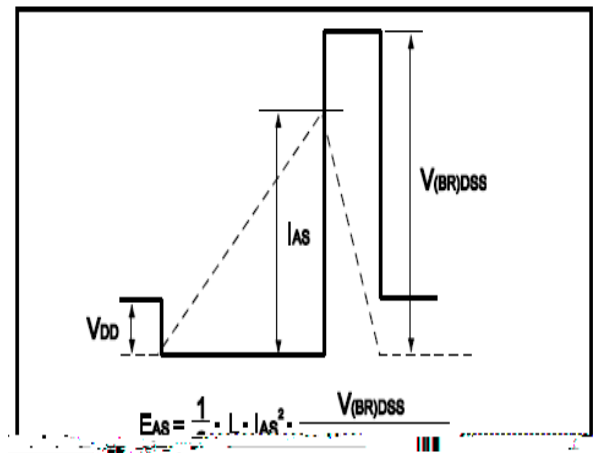


Fig.12 Avalanche Waveform





(SOT23)

Unit mm

SYMBOL	min	nom	max
A	2.70	2.9	3.10
B	1.15	1.3	1.50
C			1.30
D	0.35	0.4	0.55
E	2.20	2.4	2.70
G	1.70	1.9	2.10
H	0.85	0.95	1.05
J	0.05	0.10	0.20
K	0.00		0.10
L	0.45	0.55	0.65
M	0.20		
N	0.90	1.00	1.20
P		7	